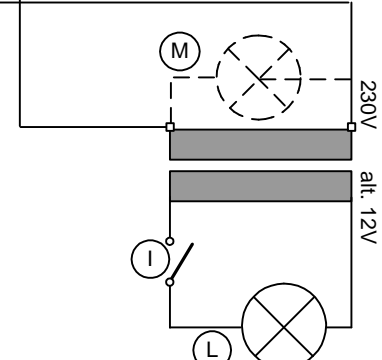
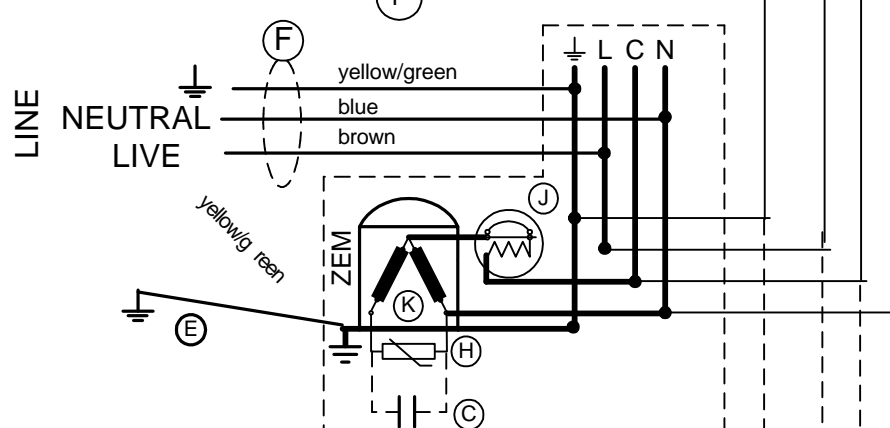
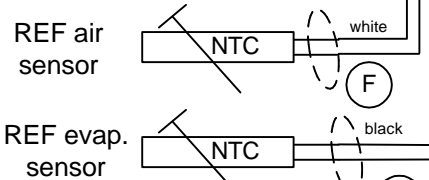
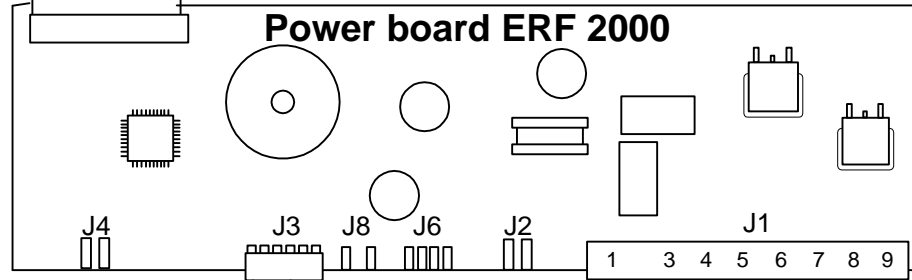
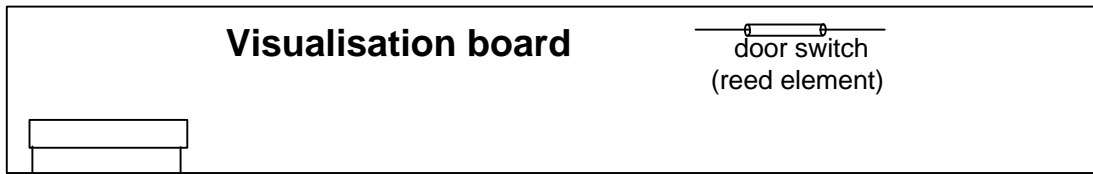
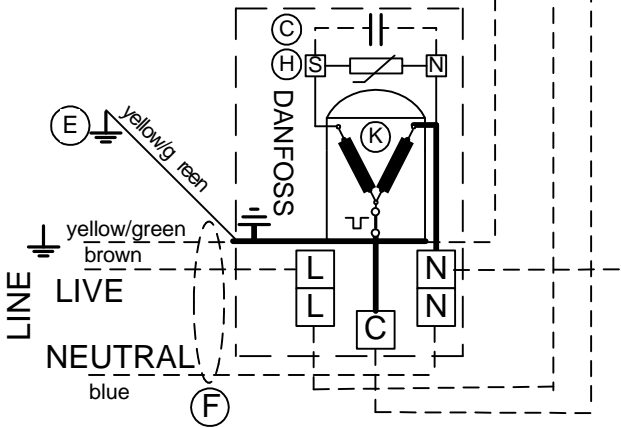


Drawing created in Visio



- (C) RUN CAPACITOR
- (E) EARTH CABINET
- (F) FLEXIBLE CORD
- (H) STARTING DEVICE
- (J) MOTORPROTECTOR
- (M) 230V LAMP
- (L) 12V HALOGEN LAMP
- (I) FLAP SWITCH
- (K) COMPRESSOR

B	TM04147	NA
A	TM 03102	WHE



208 39 75-00  
Variant No.

DESIGN OWNER <b>MA</b>				DRN <b>WHE</b>	CHD APPR.	DATE <b>030212</b>	TITLE <b>Wiring diagram</b> <b>Kopplingschema</b>
---------------------------	--	--	--	-------------------	--------------	-----------------------	---

	<b>Electrolux</b>	NUMBER <b>208 39 75</b>	REV <b>B</b>
--	-------------------	----------------------------	-----------------

M:\vd\Produktunderlag\Kopplingschema\2083975.vsd