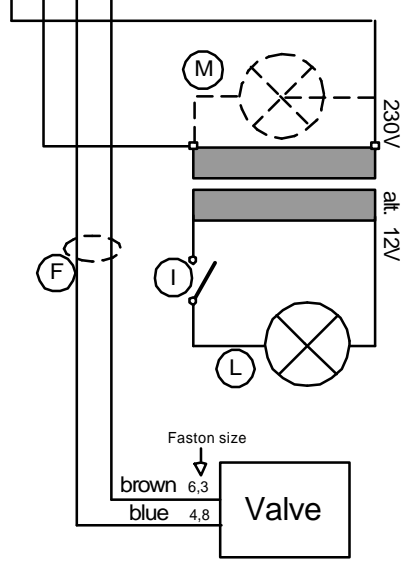
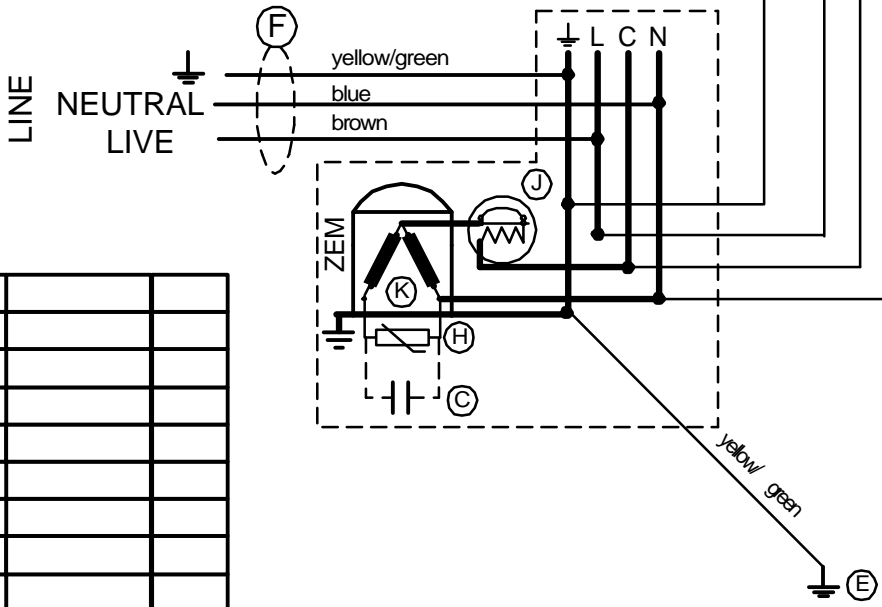
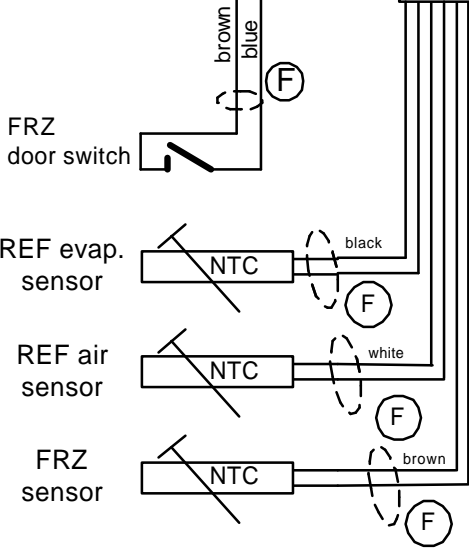
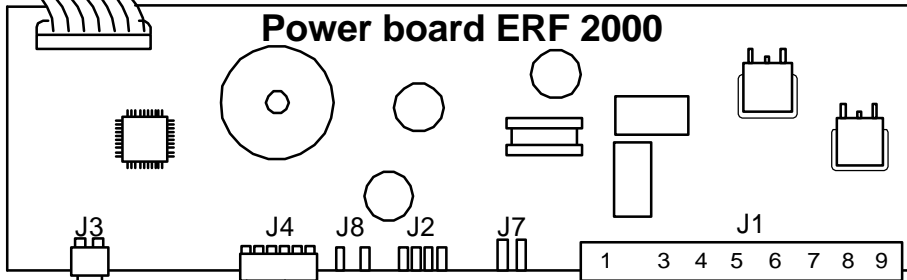
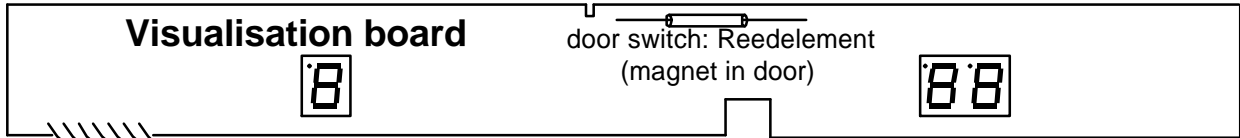


Drawing created in Visio



- (C) RUN CAPACITOR
- (E) EARTH CABINET
- (F) FLEXIBLE CORD
- (H) STARTING DEVICE
- (J) MOTORPROTECTOR
- (M) 230V LAMP
- (L) 12V HALOGEN LAMP
- (I) FLAP SWITCH

A	TM 02648	WHE

208 38 86-00  
Variant No.

Spec. 103

TITLE  
Wiring diagram

DESIGN OWNER  
MA

DRN  
WHE

CHD  
APPR.

DATE  
021219

Kopplingschema



NUMBER  
**208 38 86**  
REV  
A

M:\d\PRD\_ULAG\Kopp\_schema\2083886.vsd