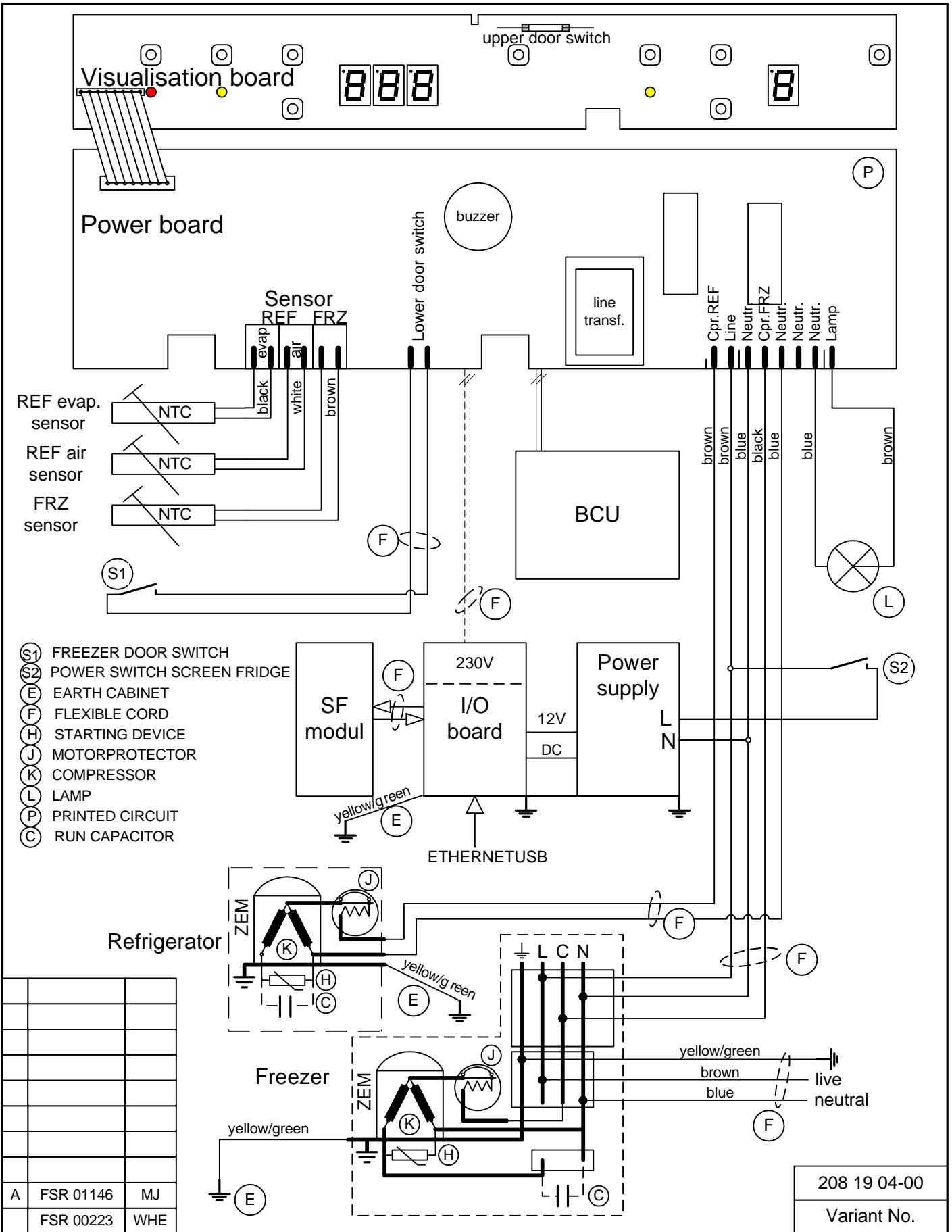


Drawing created in Visio



Elux2/No11:DIProd\_ulagKopp\_sch

Wiring diagram

Kopplingschema



**208 19 04**

**A**

DESIGN OWNER	MA	WHE	CHD	00.02.28
			APPR.	