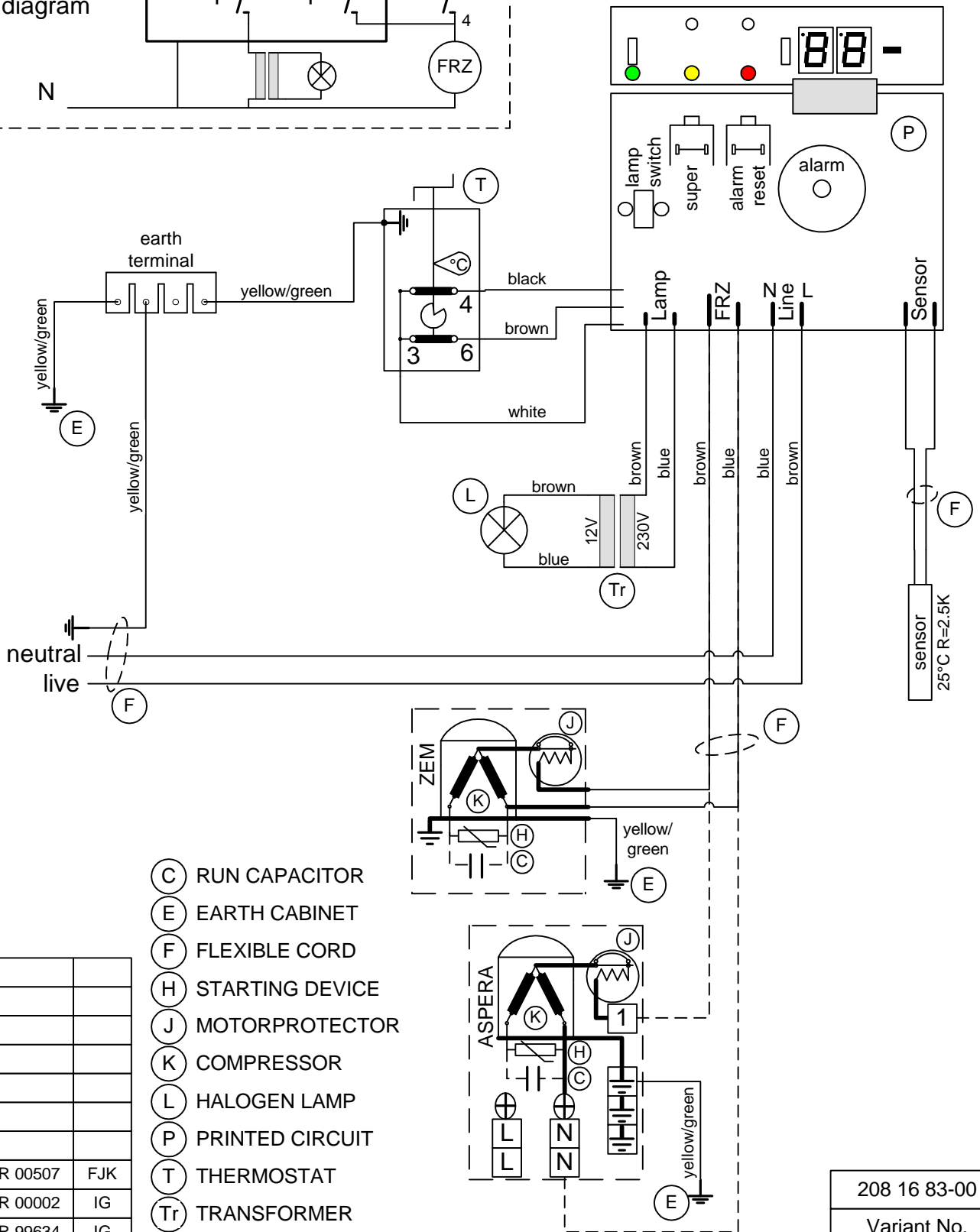
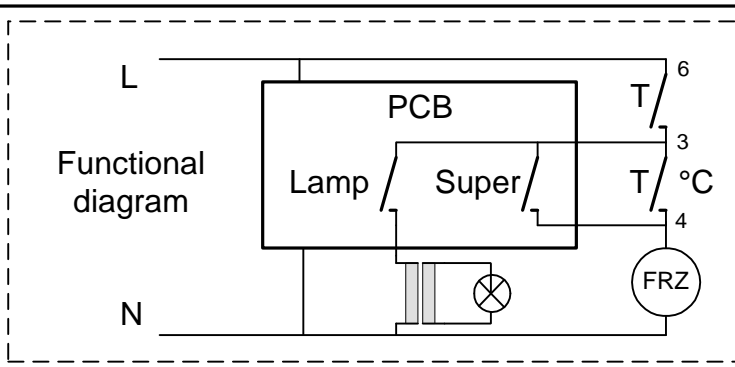


Drawing created in Visio



- (C) RUN CAPACITOR
- (E) EARTH CABINET
- (F) FLEXIBLE CORD
- (H) STARTING DEVICE
- (J) MOTORPROTECTOR
- (K) COMPRESSOR
- (L) HALOGEN LAMP
- (P) PRINTED CIRCUIT
- (T) THERMOSTAT
- (Tr) TRANSFORMER

B	FSR 00507	FJK
A	FSR 00002	IG
	FSR 99634	IG

208 16 83-00  
Variant No.

<b>Spec. 25 with halogen light</b>				<b>Wiring diagram</b>	
DESIGN OWNER <b>MA</b>	DRN <b>JoJ</b>	CHD APPR.	DATE <b>99.10.04</b>	<b>Kopplingschema</b>	
<b>Electrolux</b>				NUMBER <b>208 16 83</b>	REV <b>B</b>