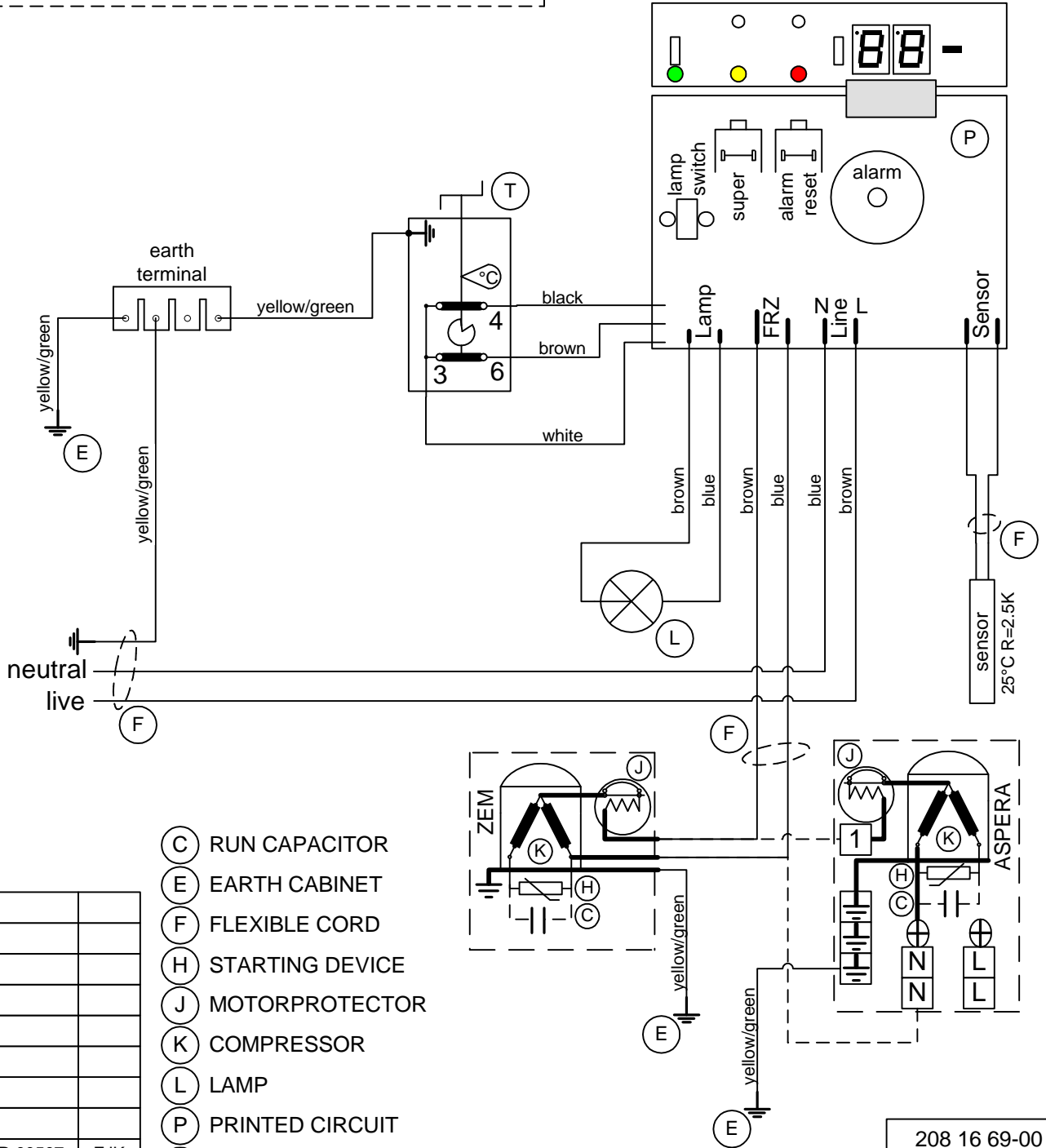
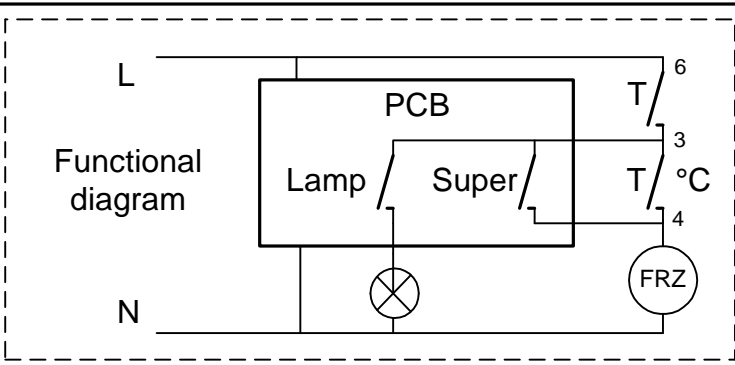


Drawing created in Visio



- (C) RUN CAPACITOR
- (E) EARTH CABINET
- (F) FLEXIBLE CORD
- (H) STARTING DEVICE
- (J) MOTORPROTECTOR
- (K) COMPRESSOR
- (L) LAMP
- (P) PRINTED CIRCUIT
- (T) THERMOSTAT

A	FSR 00507	FJK
	FSR 99634	IG

208 16 69-00
Variant No.

Spec. 25				TITLE Wiring diagram	
DESIGN OWNER MA	DRN JoJ	CHD APPR.	DATE 99.10.04	Kopplingschema	
Electrolux				NUMBER 208 16 69	REV A