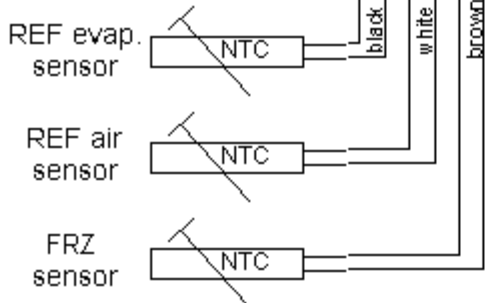
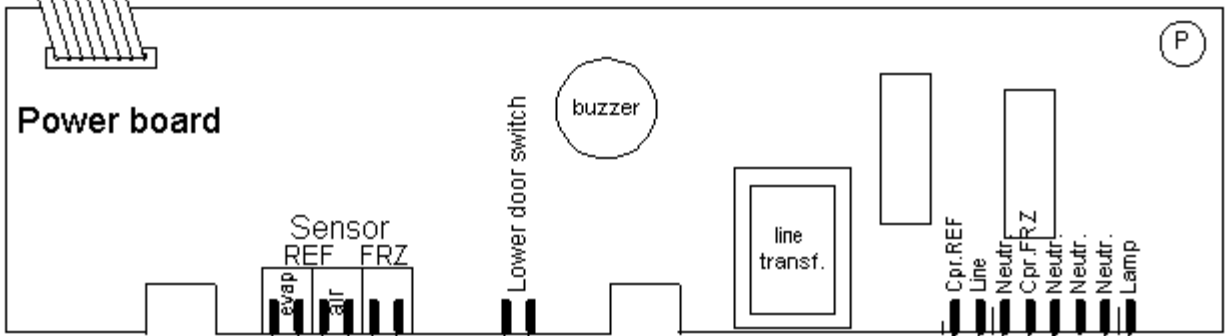
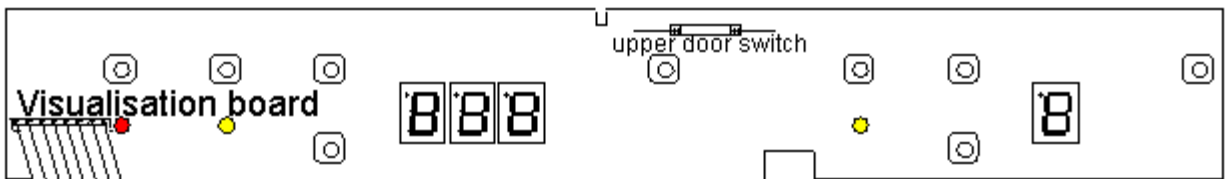
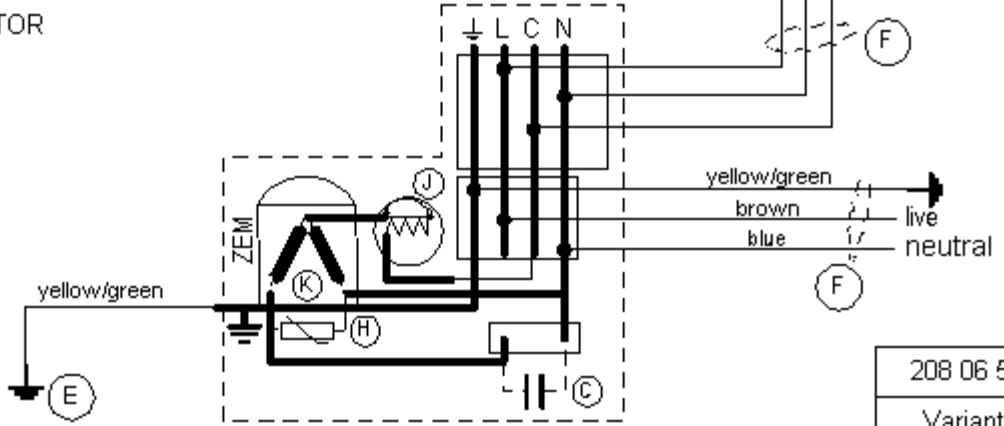
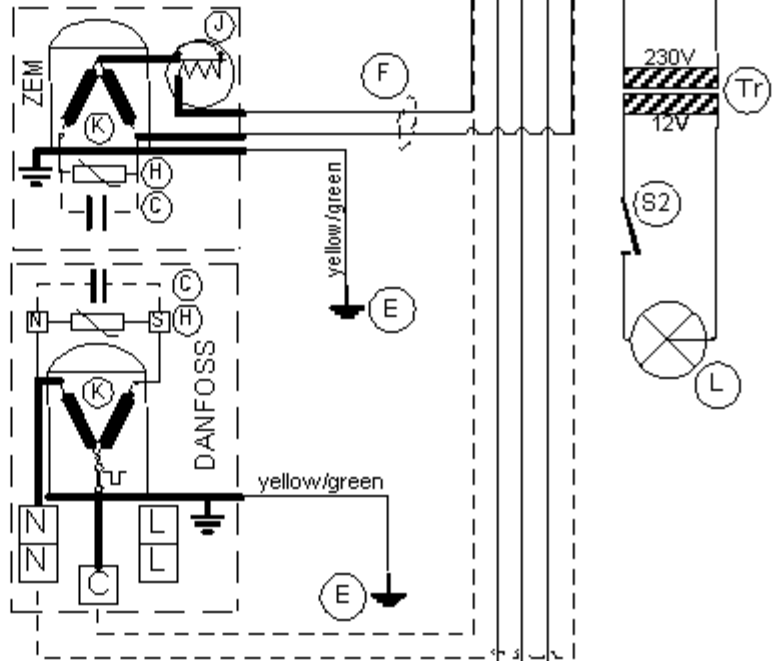


Drawing created in Visio

E:\lux2\Vol11:D:\Prod\_ulag\Kopp\_sch



- (C) RUN CAPACITOR
- (E) EARTH CABINET
- (F) FLEXIBLE CORD
- (H) STARTING DEVICE
- (J) MOTORPROTECTOR
- (K) COMPRESSOR
- (L) HALOGEN LAMP
- (P) PRINTED CIRCUIT
- (S1) FREEZER DOOR SWITCH
- (S2) MICRO SWITCH
- (Tr) TRANSFORMATOR



B	FSR 99388	JoJ
A	FSR 98156	WHE
	FSR 98030	WHE

208 06 55-00  
Variant No.

DESIGN OWNER <b>MA</b>				DRM <b>JoJ</b>	C+D OFF.	DATE 99.05.11	TITLE <b>Wiring diagram</b> <b>Kopplingschema</b>
---------------------------	--	--	--	-------------------	-------------	------------------	---

	<h1>Electrolux</h1>	NUMBER	<h1>208 06 55</h1>	REV
				<h1>B</h1>