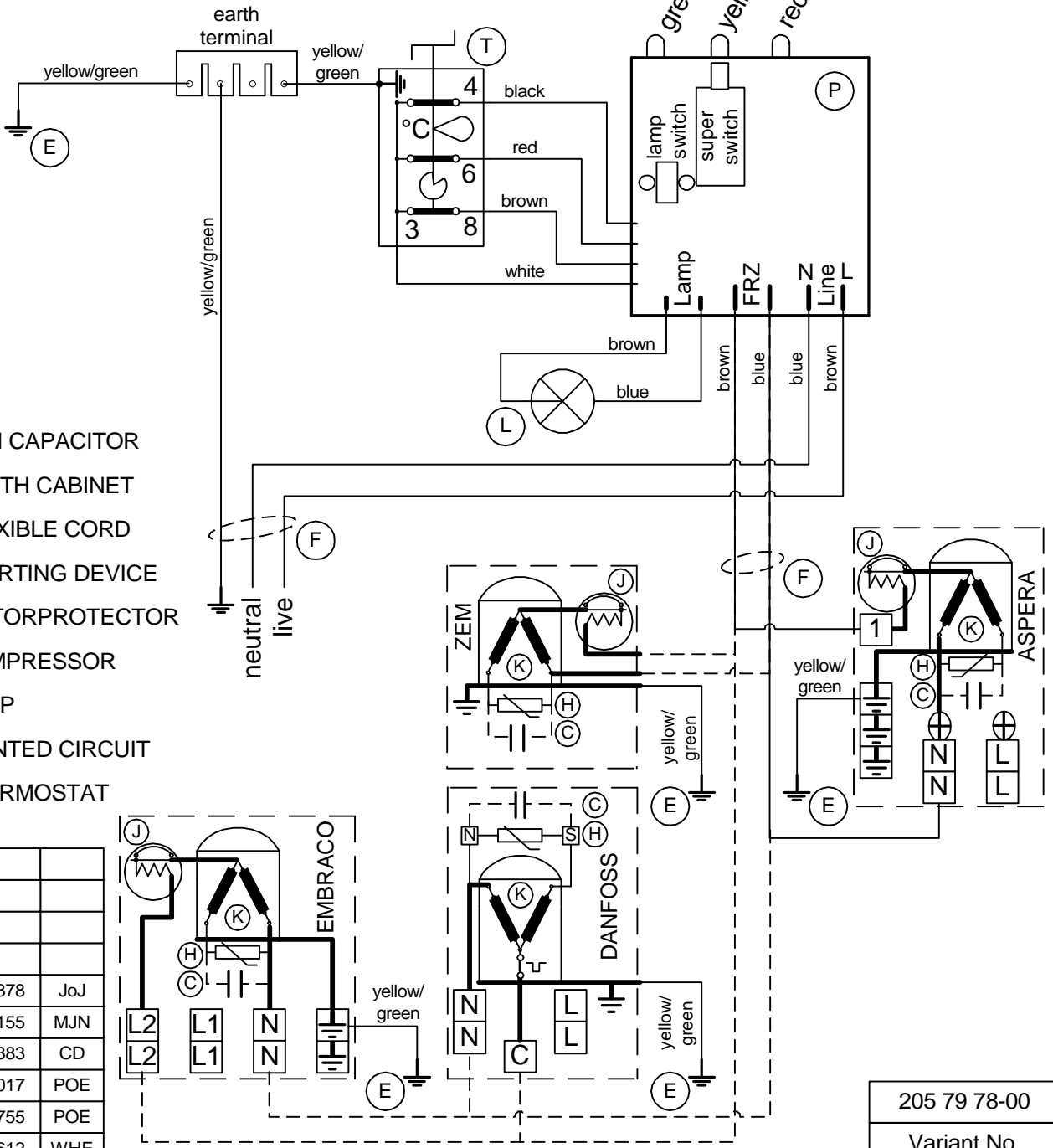
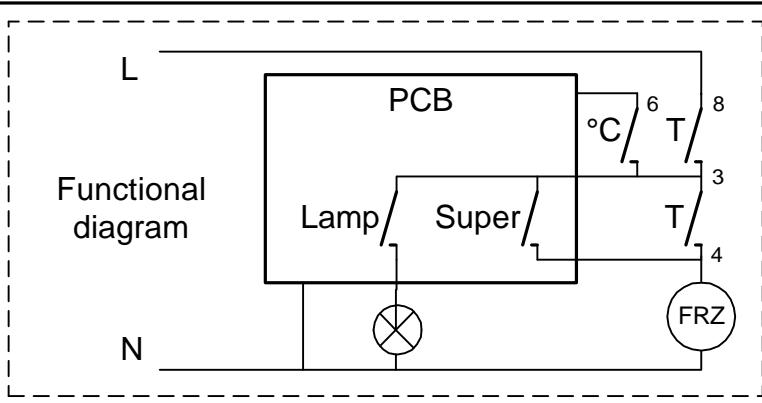


Drawing created in Visio

Elux2/Vol1:D\Prod_ulag\Kopp_sch



- (C) RUN CAPACITOR
- (E) EARTH CABINET
- (F) FLEXIBLE CORD
- (H) STARTING DEVICE
- (J) MOTORPROTECTOR
- (K) COMPRESSOR
- (L) LAMP
- (P) PRINTED CIRCUIT
- (T) THERMOSTAT

| | | |
|---|-----------|-----|
| | | |
| | | |
| | | |
| C | FSR 99378 | JoJ |
| B | FSR 98155 | MJN |
| A | FSR 97383 | CD |
| 2 | FSR 97017 | POE |
| 1 | FSR 96755 | POE |
| | FSR 94612 | WHE |

205 79 78-00
Variant No.

| | | | | | |
|---------------------------|-------------------|--------------|-------------------------|--------------------------------|-----------------|
| | | | | TITLE Wiring diagram | |
| DESIGN OWNER MA | DRN JoJ | CHD APPR. | DATE 99.05.05 | Kopplingschema | |
| | | | | NUMBER 205 79 78 | REV C |