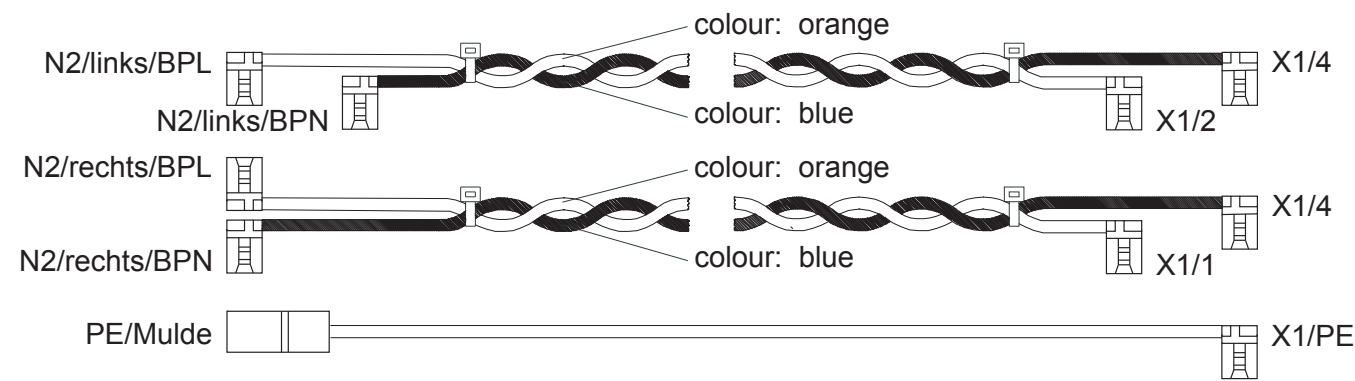


This drawing contains confidential information and is the property of Electrolux. Without whose permission it may not be copied, shown or handed to a third party or otherwise used and it is to be returned promptly upon request to the design owner, who is responsible for the drawing.

Items shown in this drawing must not contain substances that are banned according to Directive 2002/95/EC, the RoHS Directive (Lead, Cadmium, Mercury, hexavalent Chromium, PBB and PBDE), or substances classified as "Banned" or "Restricted" according to the Electrolux Restricted Materials List.

GENERAL TOLERANCES
ANGLES
LENGTHS AND DIAMETERS

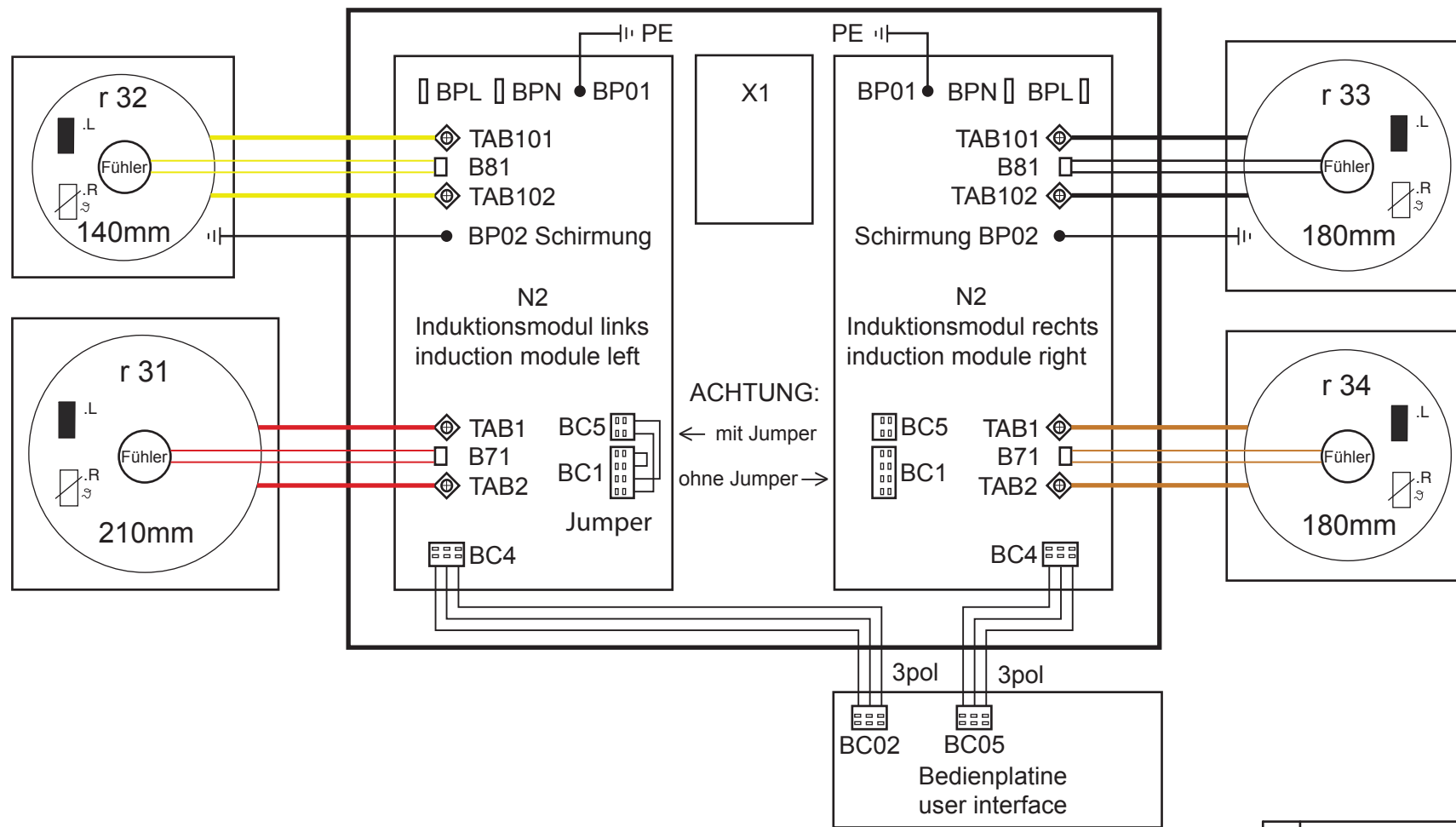
Verdrahtung Netzanschlußkasten / wiring mains terminal (separate Lieferung)
Sachnummer / article number code 387 570 000



Steuerleitungen / control lines (separate Lieferung)
Kontaktfolge / contact Sachnummer / article number code
induction module left/BC4 - user interface/BC02 387 202 501
induction module right/BC4 - user interface/BC05 387 202 503

Bezeichnung	designation	Elux Sachnummer	Elux part no
Liste Anschlagteile	list of crimp contacts	330 1766 00	
Betriebsmittelliste	list of components	330 2222 00	
Liste Einzellitzen	list of single wires	330 5347 00	
Anschlußbezeichnungen	port identification	330 6406 00	
Leitungsmaterial	wire material	330 5273 00 / 330 5274 00	
* ► Isolierhülse	* ► insulation housing		

Ansicht von oben!



B	correction of the drawing	Weiß	DGT54971	2007-09-25
A	first edition	Weiß	DGT50269	2007-05-09
POS.	MODIFICATIONS	SIGNATURE	REQUEST	DATE
MATERIAL	MODEL	SCALE	EUROPEAN METHOD	
TREATMENT	WEIGHT	DESIGN USERS	REPLACES	
DESIGN OWNER	pd_hot kitchen high	CHD Weiß	2D ONLY	x
DGT	DATE 2007-05-09	APPR Weiß	CONCEPT 3D	-
			EXACT 3D	-
		TITLE wiring hob cpl.		
		Verdrahtung Mulde kpl.		
387 4896 00		NUMBER 387 4896		REV B
VARIANT NUMBER		REPLACED NUMBER		1/1