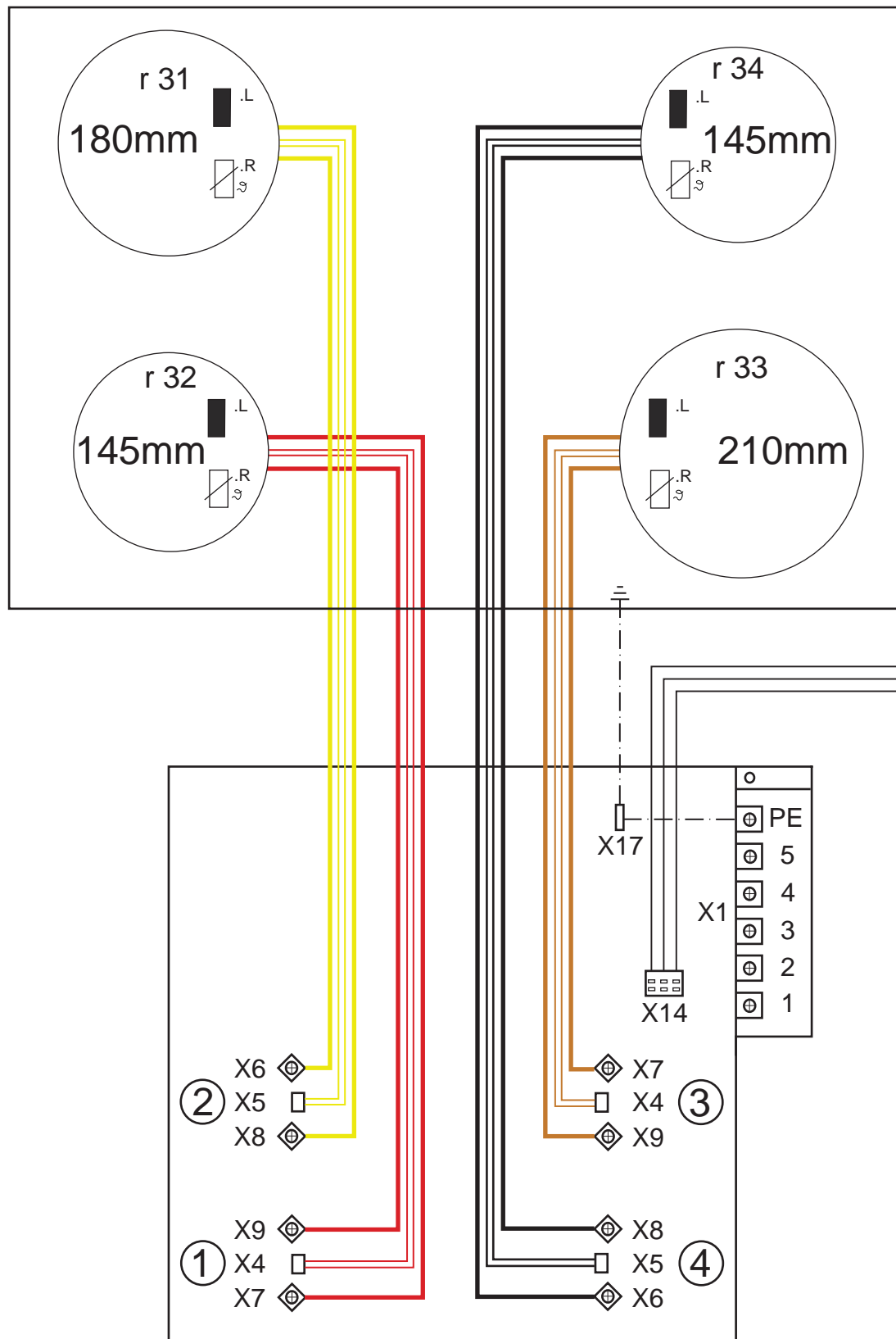
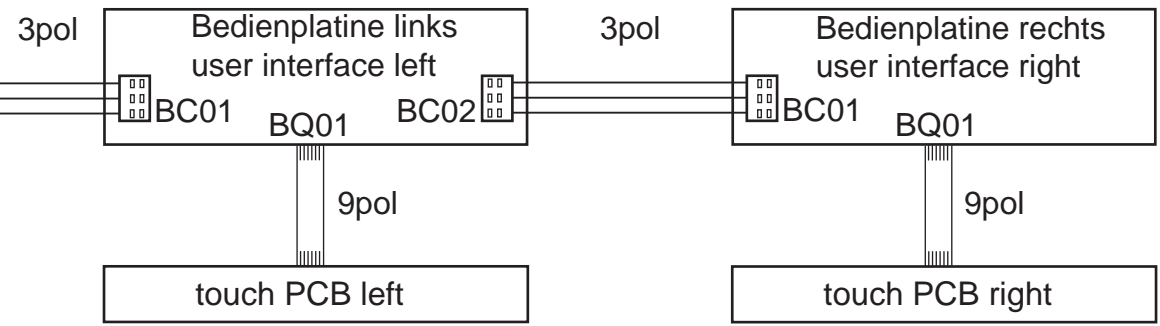


# Ansicht von oben!



Steuerleitung / control line (separate Lieferung)	
Kontaktfolge / contact	Sachnummer / article number code
filterboard/X14 - user interface left/BC01	330 637 403
user interface left/BC02 - user interface right/BC01	374 441 009
touch PCB left - user interface left/BQ01	387 229 700
touch PCB right - user interface right/BQ01	387 229 700



Bezeichnung	designation	Elux Sachnummer	Elux part no
Liste Anschlagteile	list of crimp contacts	330 1766 00	
Betriebsmittelliste	list of components	330 2222 00	
Liste Einzellitzen	list of single wires	330 5347 00	
Anschlußbezeichnungen	Port identification	330 6406 00	
Leitungsmaterial	wire material	330 5273 00 / 330 5274 00	

A	new drawing created	Weiß	DGT36266	2005-11-09
POS.	MODIFICATIONS	SIGNATURE	REQUEST	DATE
MATERIAL	MODEL	SCALE	EUROPEAN METHOD	
TREATMENT	WEIGHT	DESIGN USERS	REPLACES	
DESIGN OWNER	pd_hot kitchen high	CHD Weiß	2D ONLY	x
DGT	DATE 2005-11-09	APPR Weiß	CONCEPT 3D	-
TITLE		wiring hob cpl.		
NUMBER		387 2360		
REV		A		
		1/1		

This drawing contains confidential information and is the property of Electrolux, without whose permission it may not be copied, shown or handed to a third party or otherwise used and it is to be returned promptly upon request to the design owner, who is responsible for the drawing.

Items shown in this drawing must not contain substances that are banned according to Directive, 2002/95/EC, the RoHS Directive (Lead, Cadmium, Mercury, hexavalent Chromium, PBB and PBDE), or substances classified as "Banned" or "Restricted" according to the Electrolux Restricted Materials List.

GENERAL TOLERANCES  
ANGLES  
LENGTHS AND DIAMETERS

387 2360 00			wiring hob cpl., induction G4 (Frontline 4x1 circle)
VARIANT NUMBER	REPLACED NUMBER	POS.	CHANGES FROM THE BASE NUMBER