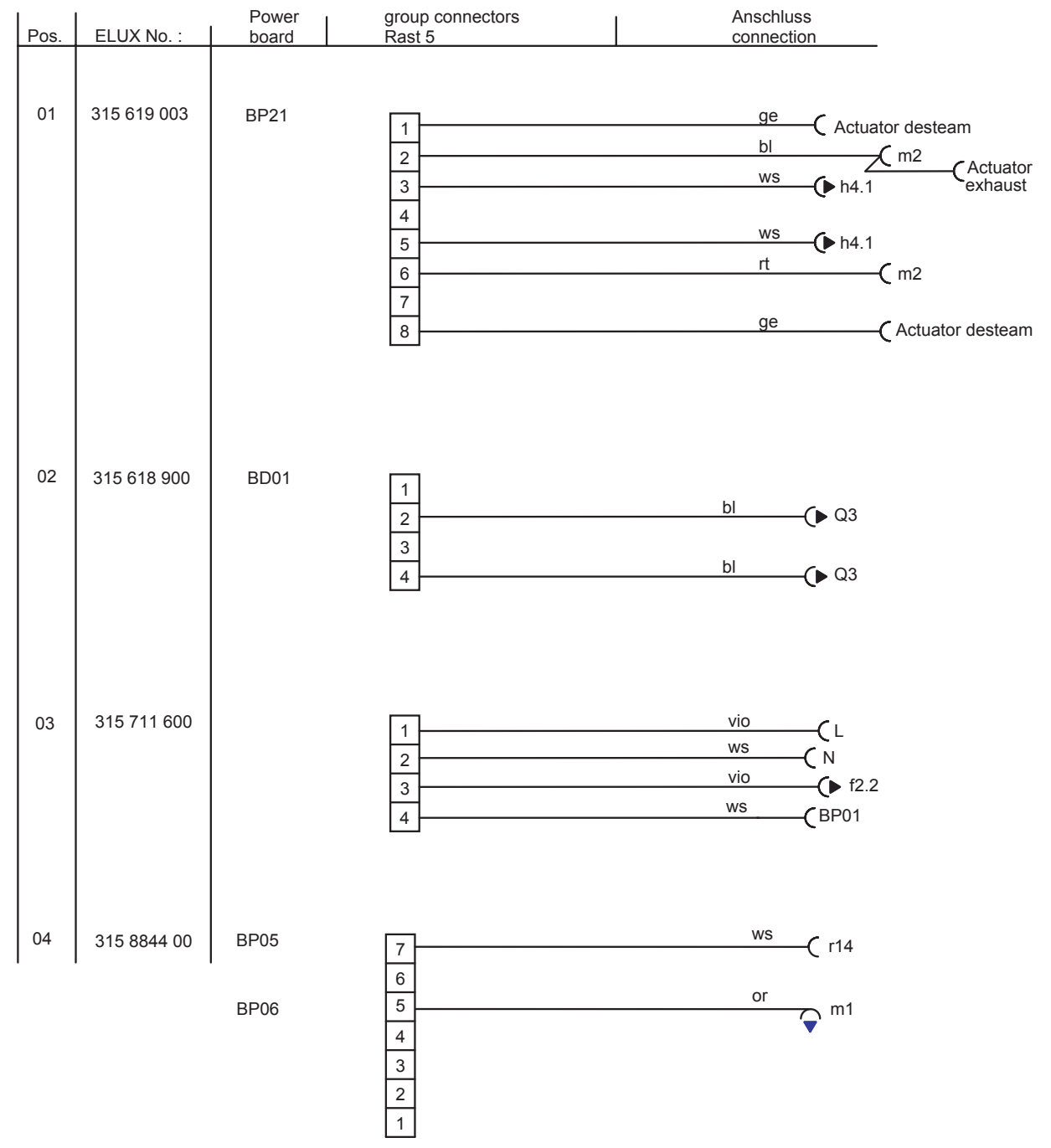


This drawing contains confidential information and is the property of Electrolux, without whose permission it may not be copied, shown or handed to a third party or otherwise used and it is to be returned promptly upon request to the design owner, who is responsible for the drawing.

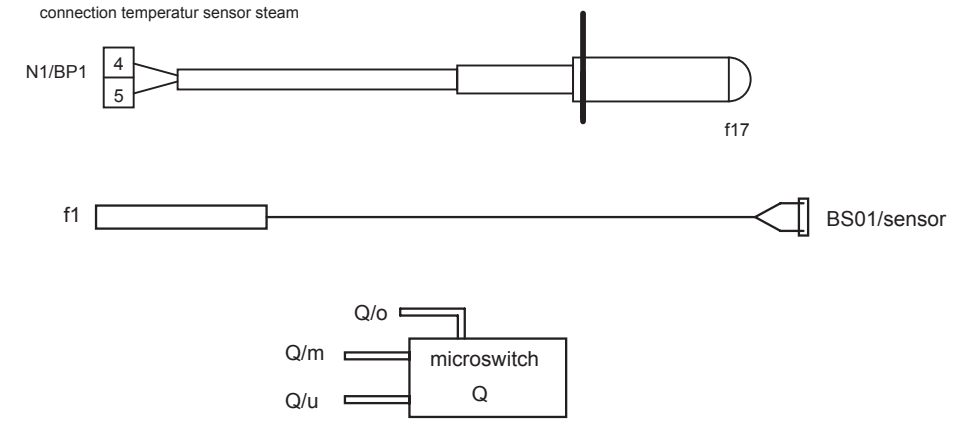
Items shown in this drawing must not contain substances that are banned according to Directive 2002/95/EC, the RoHS Directive (Lead, Cadmium, Mercury, hexavalent Chromium, PBB and PBDE), or substances classified as "Banned" or "Restricted" according to the Electrolux Restricted Materials List.

GENERAL TOLERANCES  
ANGLES  
LENGTHS AND DIAMETERS

Kabelbäume / cable harness



Pos.	Kontaktfolge contact	Auflösung structure explanation	Farbe colour	min. Querschn. min. cross-section
01	PE - c2/PE	194 - 220 - 194	gng	1,0 .44
02	h9 - f2.1 - r14 - r16 - m1	184 - 300 - ▶195 - 150 - ▶195 - 300 - ▶195 - 150 - ▶175	sw - ws - vio - or	1,0-1,0-0,75-0,75 132
03	*f2.1 - BP03	▶194 - 740 - 194	sw	0,75 .73
04	r14 - comp. plate	194 - 140 - 194	gng	1,0 .56
05	h4.1/PE - comp. plate	194 - 220 - 194	gng	1,0 .44
06	m1 - comp. plate	194 - 460 - 194	gng	1,0 .57
07	*f2.2 - BP04	▶194 - 750 - 194	vio	0,75 .47
08	A2/1-A1/1	184 - 520 - 194	ws	0,75 120
09				
10				
11	Kanban order from factory			
12	f3/170°C - R5	cable harness 315 8850 00	or	
13	f3/170°C - BP08 / Rast 5	cable harness 315 8850 00	or	
14	R5 - f3/120°C - h9	cable harness 315 8850 00	ws - ws	
15	f3/120°C - h9	cable harness 315 8850 00	sw	
16	PE/1b - comp. plate	cable harness 315 8850 00	gng	
17	BP07 / Rast 5 - r16	cable harness 315 8850 00	vio	
18				
19				
20				



Bezeichnung	designation	Elux Sachnummer	Elux part no
▶ Isolierhülse	insulation housing		
Liste	list of crimp		
Anschlagteile	contacts	330 1766 00	
Betriebsmittelliste	list of components	330 2222 00	
Einzellitzenliste	list of single wires	315 6867	
Schaltplan	Circuit diagram	315 8884 00	

A First edition		Büschke	DGT 53283	2007-07-20	
POS.	MODIFICATIONS		SIGNATURE	REQUEST	DATE
MATERIAL	MODEL		SCALE	EUROPEAN METHOD	
TREATMENT	WEIGHT		DESIGN USERS	REPLACES	
DESIGN OWNER	CHD Büschke	2D ONLY	DERIVED FROM		
DGT	DATE 2007-07-20	APPR Büschke	SUPPLY SPECIFICATIONS		
TITLE		wiring Compact Steam EZ-2			
NUMBER		Verdrahtung Compact Steam EZ-2			
315 8885		REV A			
		1/1			



315 8885 00			Wiring oven Compact Steam EZ-2 230V without Lightbar
VARIANT NUMBER	REPLACED NUMBER	POS.	CHANGES FROM THE BASE NUMBER