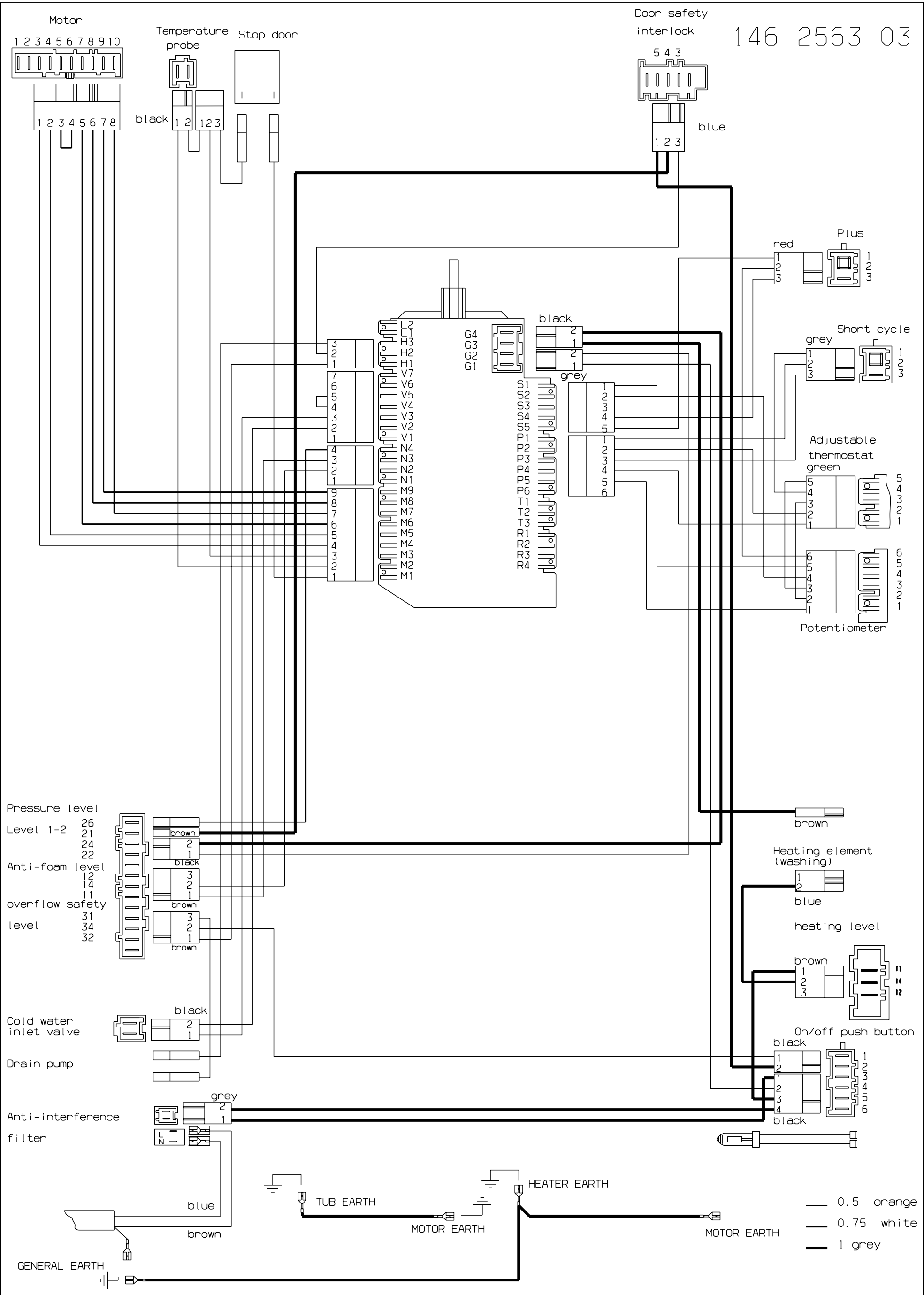


146 2563 03



Pressure level
 Level 1-2 26
 21
 24
 22
 Anti-foam level
 12
 14
 overflow safety
 level 11
 31
 34
 32

Cold water
 inlet valve
 Drain pump

Anti-interference
 filter

GENERAL EARTH

TUB EARTH

MOTOR EARTH

HEATER EARTH

MOTOR EARTH

— 0.5 orange
 — 0.75 white
 — 1 grey