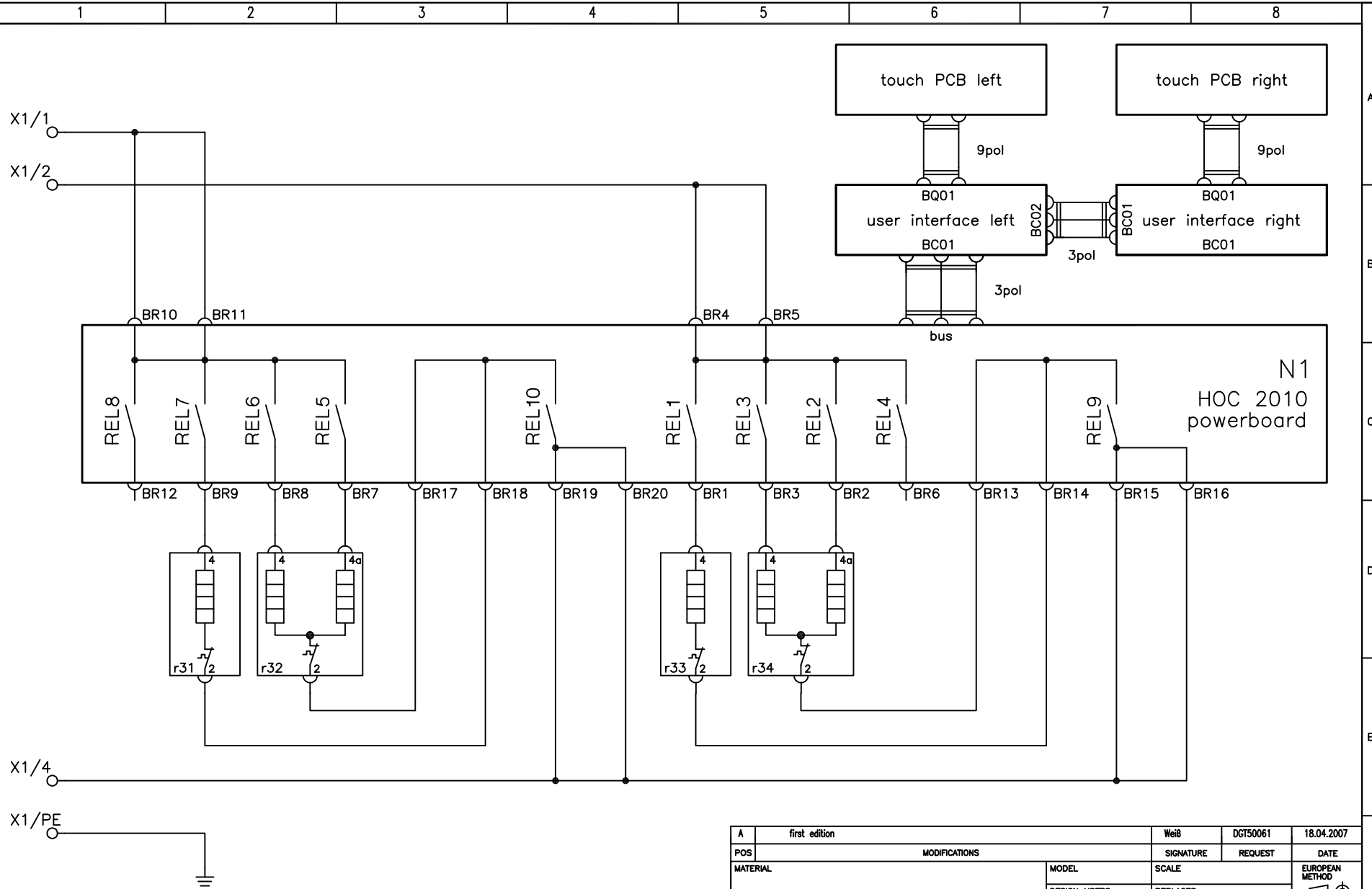


Items shown in this drawing must not contain substances that are banned according to Directive, 2002/95/EC, the RoHS Directive (Lead, Cadmium, Mercury, hexavalent Chromium, PBB and PBDE), or substances classified as "Banned" or "Restricted" according to the Electrolux Restricted Materials List.

This drawing contains confidential information and is the property of Electrolux, without whose permission it may not be copied, shown or handed to a third party or otherwise used and it is to be returned promptly upon request to the design owner, who is responsible for the drawing.



GENERAL TOLERANCES
 ANGLES
 LENGTHS AND DIAMETERS

387 5310 00					
VARIANT NUMBER.	REPLACED NUMBER	POS.	MODEL	DESIGN USERS	CHANGES FROM THE BASE NUMBER

A first edition		WeiB		DGT50061		18.04.2007	
MODIFICATIONS				SIGNATURE		REQUEST	
MATERIAL				MODEL		SCALE	
TREATMENT				DESIGN USERS		REPLACES	
WEIGHT				DERIVED FROM		EUROPEAN METHOD	
DESIGN OWNER		DRN		CHD WeiB		2D ONLY	
DGT		DATE 18.04.2007		APPR WeiB		CONCEPT 3D	
						EXACT 3D	
TITLE circuit diagram							
Schaltplan							
NUMBER 387 5310						REV A	
						SHEET 1/1	

