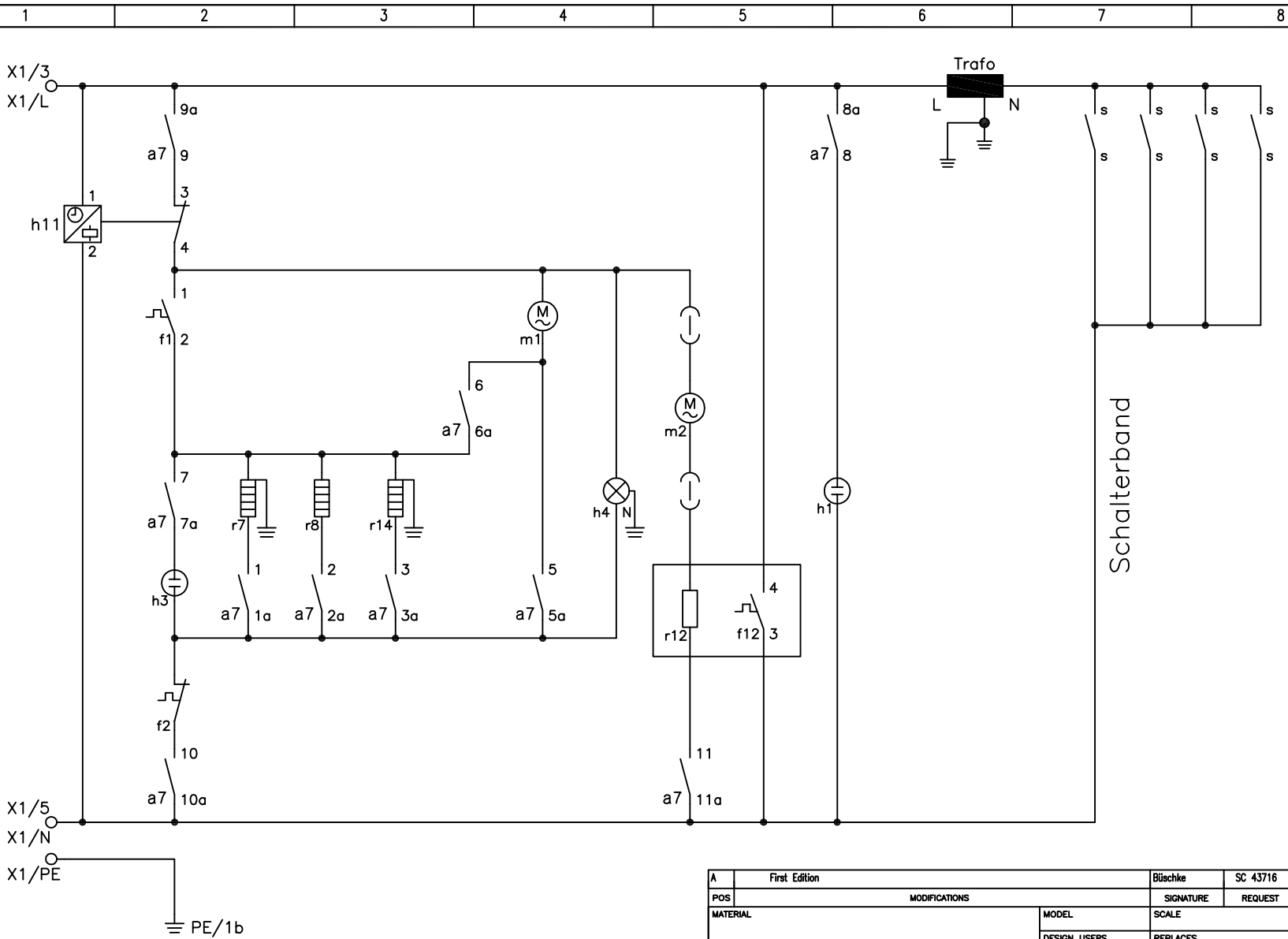


Items shown in this drawing must not contain substances
 that are listed in Annex I of Directive 2002/95/EC,
 the RoHS Directive (for Cadmium, Hexavalent Chromium,
 Polychlorinated Biphenyls (PCBs) and Polychlorinated
 Dibenzodioxins (PCDDs) or substances classified as
 "Banned" or "Restricted" according to the Electrolux
 Restricted Materials List.
 This drawing contains confidential information and
 is the property of Electrolux. It must be kept
 confidential and it is to be returned promptly
 upon request to the design owner, who is responsible
 for the drawing.



GENERAL TOLERANCES
 ANGLES
 LENGTHS AND DIAMETERS

VARIANT NUMBER.	REPLACED NUMBER	POS.	MODEL	DESIGN USERS	CHANGES FROM THE BASE NUMBER

A		First Edition		Büschke	SC 43716	09.11.2006
MODIFICATIONS				SIGNATURE	REQUEST	DATE
MATERIAL			MODEL		SCALE	
TREATMENT			DESIGN USERS		REPLACES No	
DESIGN OWNER			DRN		DERIVED FROM No	
DCT			DATE 09.11.2006		SUPPLY SPECIFICATIONS No	
CHD Büschke			2D ONLY		EUROPEAN METHOD	
APPR Büschke			CONCEPT 3D		⊕	
EXACT 3D			TITLE circuit diagram			
Schaltplan						
NUMBER 387 3890					REV A	1/1

