

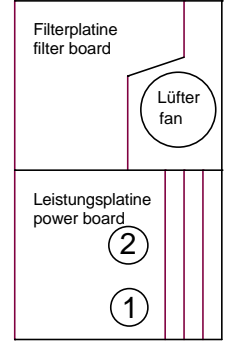
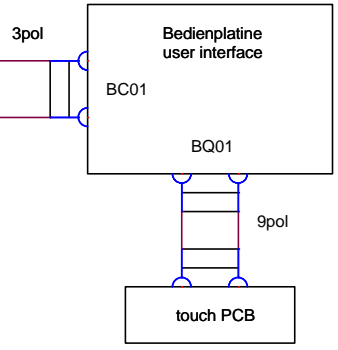
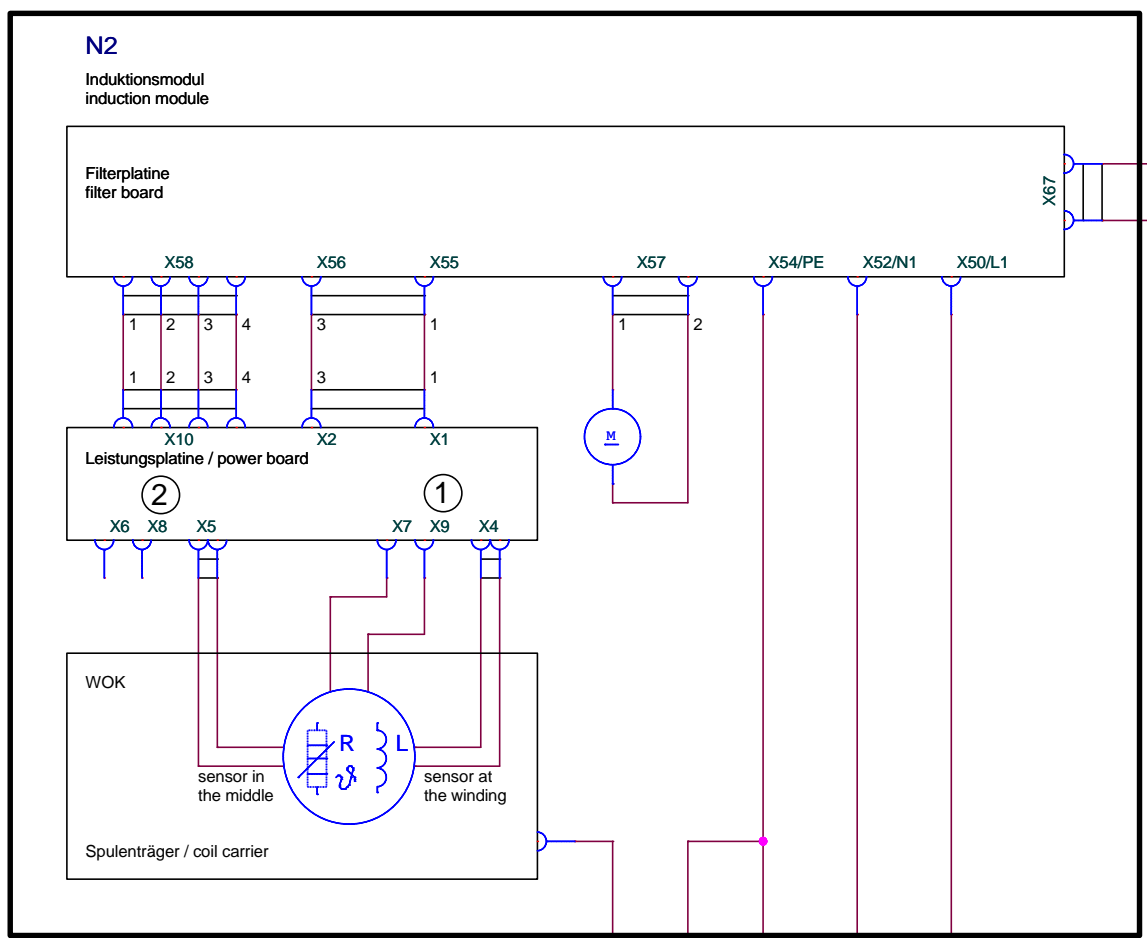
THE ITEM(S) SHOWN IN THIS DRAWING MUST NOT CONTAIN FORMALDEHYDE, CADMIUM, MERCURY, ASBESTOS OR PBB/PBDO.

THIS DRAWING CONTAINS CONFIDENTIAL INFORMATION. IT'S PROPERTY OF ELECTROLUX WITHOUT WHOSE PERMISSION IT MAY NOT BE COPIED, SHOWN OR HANDED TO A THIRD PARTY OR OTHERWISE USED, AND IT IS TO BE RETURNED PROMPTLY UPON REQUEST TO ELECTROLUX WHICH IS RESPONSIBLE FOR THE DRAWING.

CRITICAL DIMENSIONS WHICH MUST BE UNDER CAPABILITY : SAFETY RISKS : VISIBLE SURFACES : DRAFT ANGLES (NOT SHOWN): 0°/0°/0°/0°

THEORETICAL FLAT AREA DEVELOPED FLAT AREA

GENERAL TOLERANCES ANGLES : ±° LENGTHS AND DIAMETERS : ± mm



Netzanschlußleitung



DESIGN		OWNER	DRN	CHD	DATE	DESIGN	USERS	EUROPEAN METHOD	
DGT		DGR-PE_PD	WeiB	WeiB	2006-07-13				
A		first edition	WeiB	DGT 41288	2006-07-13				
ZUST		MODIFICATIONS			SIGNATURE	REQUEST	DATE		
TITLE		circuit diagram hob							
TITEL		Schaltplan Mulde							
NUMBER		387 3280		SHEET		01(01)		REV	
A4								A	

