

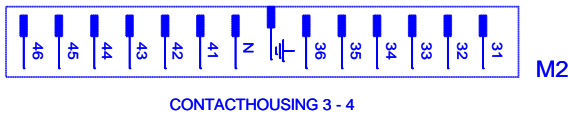
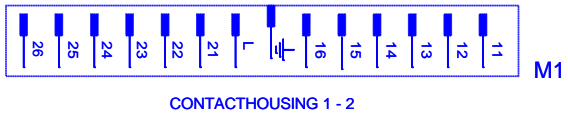
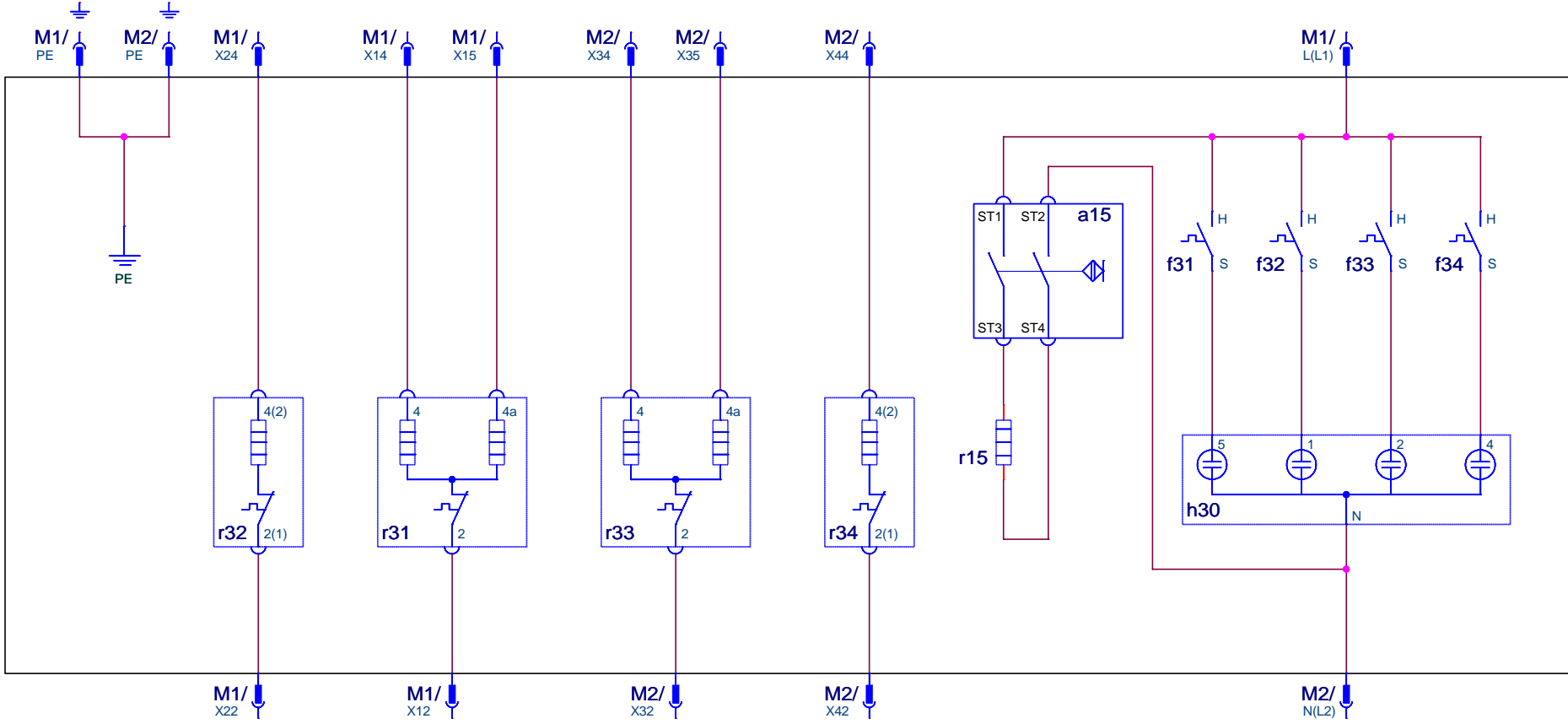
THE TERMS SHOWN IN THIS DRAWING MUST NOT CONTAIN FORMALDEHYDE, CADMIUM, MERCURY, ASBESTOS OR PBB/PBDO.

THIS DRAWING CONTAINS CONFIDENTIAL INFORMATION. IT'S PROPERTY OF ELECTROLUX. WITHOUT WRITTEN PERMISSION IT MAY NOT BE COPIED, SHOWN OR HANDED TO A THIRD PARTY OR OTHERWISE USED, AND IT IS TO BE RETURNED PROMPTLY UPON REQUEST TO ELECTROLUX WHICH IS RESPONSIBLE FOR THE DRAWING.

CRITICAL DIMENSIONS WHICH MUST BE UNDER CAPABILITY [2] SAFETY RISKS VISIBLE SURFACES DRAFT ANGLES (NOT SHOWN): 07°/00°/01°

THEORETICAL FLAT AREA DEVELOPED FLAT AREA

GENERAL TOLERANCES ANGLES LENGTHS AND DIAMETERS



DESIGN		OWNER	DRN	CHD	DATE	DESIGN	USERS	EUROPEAN METHOD		
DGT		DGR-PE_PD		Weiß	2005-10-24	-	-			
A		first edition		Weiß	DGT 36088	2005-10-24				
ZUST		MODIFICATIONS				SIGNATURE		REQUEST		DATE
TITLE		circuit diagram hob		Schaltplan Mulde		NUMBER		SHEET		REV
		387 2323		01(01)		A				

