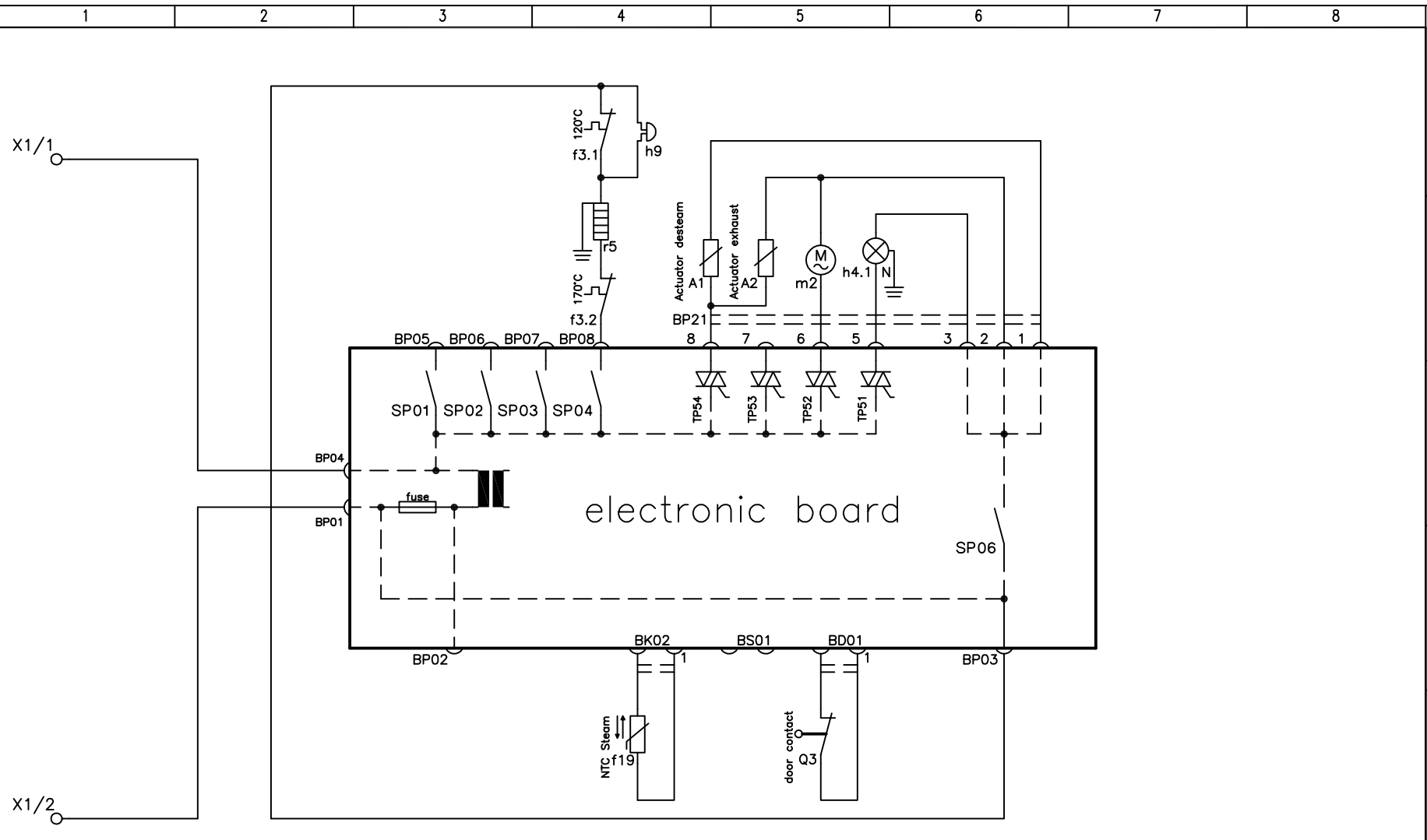


Items shown in this drawing must not contain substances that are banned according to Directive, 2002/95/EC, the RoHS Directive (Lead, Cadmium, Mercury, hexavalent Chromium, PBB and PBDE), or substances classified as "Banned" or "Restricted" according to the Electrolux Restricted Materials List.

This drawing contains confidential information and is the property of Electrolux, without whose permission it may not be copied, shown or handed to a third party or otherwise used, and it is to be returned promptly upon request to the design owner, who is responsible for the drawing.



GENERAL TOLERANCES  
 ANGLES  
 LENGTHS AND DIAMETERS

315 8888 00					wiring oven Compact steam solo
VARIANT NUMBER.	REPLACED NUMBER	POS.	MODEL	DESIGN USERS	CHANGES FROM THE BASE NUMBER

A First Edition				Büschke	DGT 55257	2007-10-10
POS MODIFICATIONS				SIGNATURE	REQUEST	DATE
MATERIAL			MODEL	SCALE		
TREATMENT			DESIGN USERS	REPLACES No		
DESIGN OWNER DRN			CHD Büschke	DERIVED FROM No		
DGT			DATE 2007-10-10	SUPPLY SPECIFICATIONS No		
			2D ONLY	TITLE circuit diagram		
			CONCEPT 3D	Schaltplan		
			EXACT 3D	NUMBER 315 8888		
			REV A			
			SHEET 1/1			

