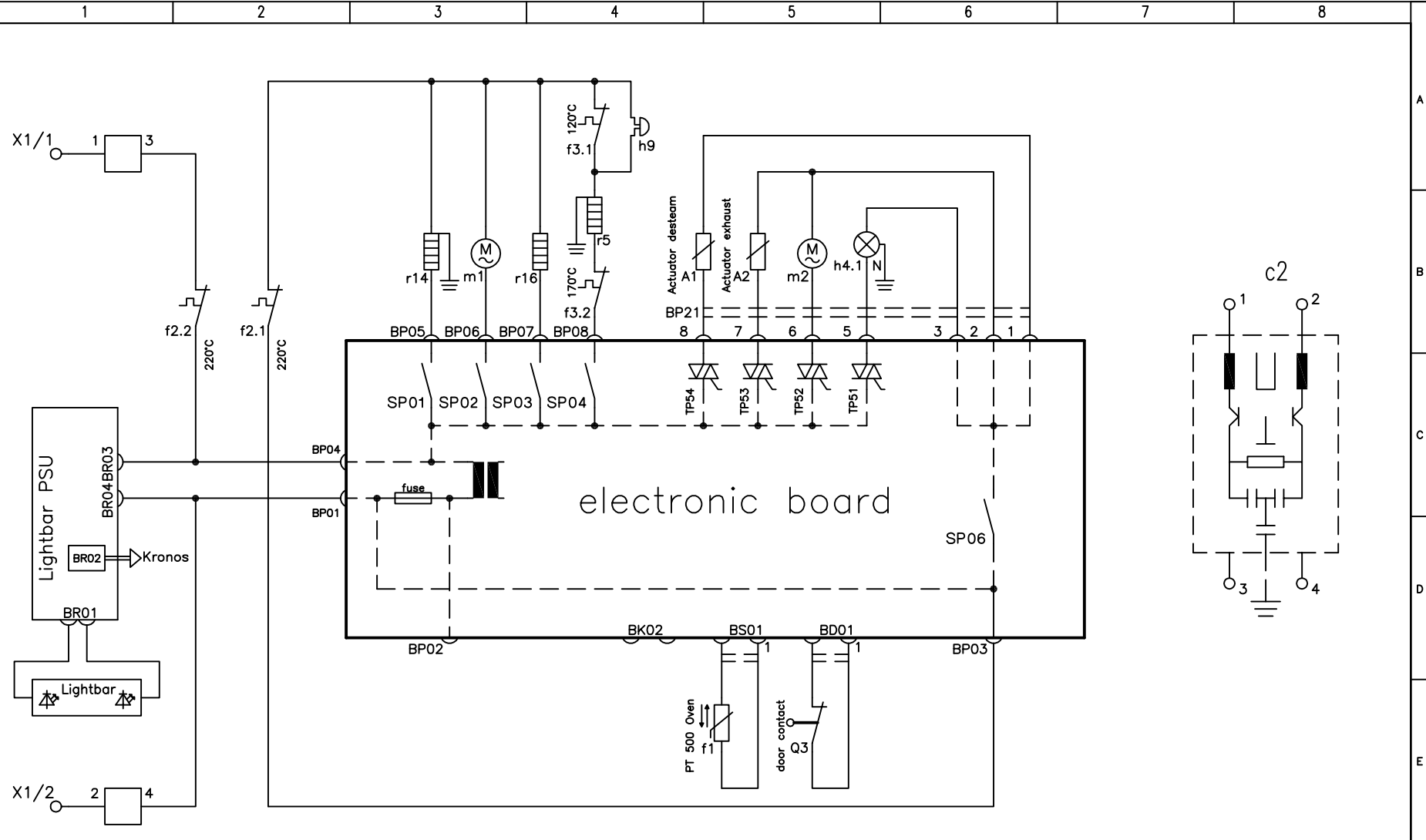


Items shown in this drawing must not contain substances that are banned according to Directive, 2002/95/EC, the RoHS Directive (Lead, Cadmium, Mercury, hexavalent Chromium, PBB and PBDE), or substances classified as "Banned" or "Restrictive" according to the Electrolux Restricted Materials List.

This drawing contains confidential information and is the property of Electrolux, without whose permission it may not be copied, shown or handed to a third party or otherwise used, and it is to be returned promptly upon request to the design owner, who is responsible for the drawing.



GENERAL TOLERANCES
ANGLES
LENGTHS AND DIAMETERS

315 8886 00					wiring oven Compact steam with lightbar
VARIANT NUMBER.	REPLACED NUMBER	POS.	MODEL	DESIGN USERS	CHANGES FROM THE BASE NUMBER

A First Edition				Büschke	DGT 55257	2008-10-10	
MODIFICATIONS				SIGNATURE	REQUEST	DATE	
MATERIAL		MODEL		SCALE		EUROPEAN METHOD	
TREATMENT		WEIGHT		DESIGN USERS		REPLACES No	
DESIGN OWNER DRN		CHD Büschke		2D ONLY		DERIVED FROM No	
DGT		DATE 2008-10-10		APPR Büschke			SUPPLY SPECIFICATIONS No
TITLE circuit diagram				Schaltplan			
NUMBER 315 8886				REV A			
				SHEET 1/1			

