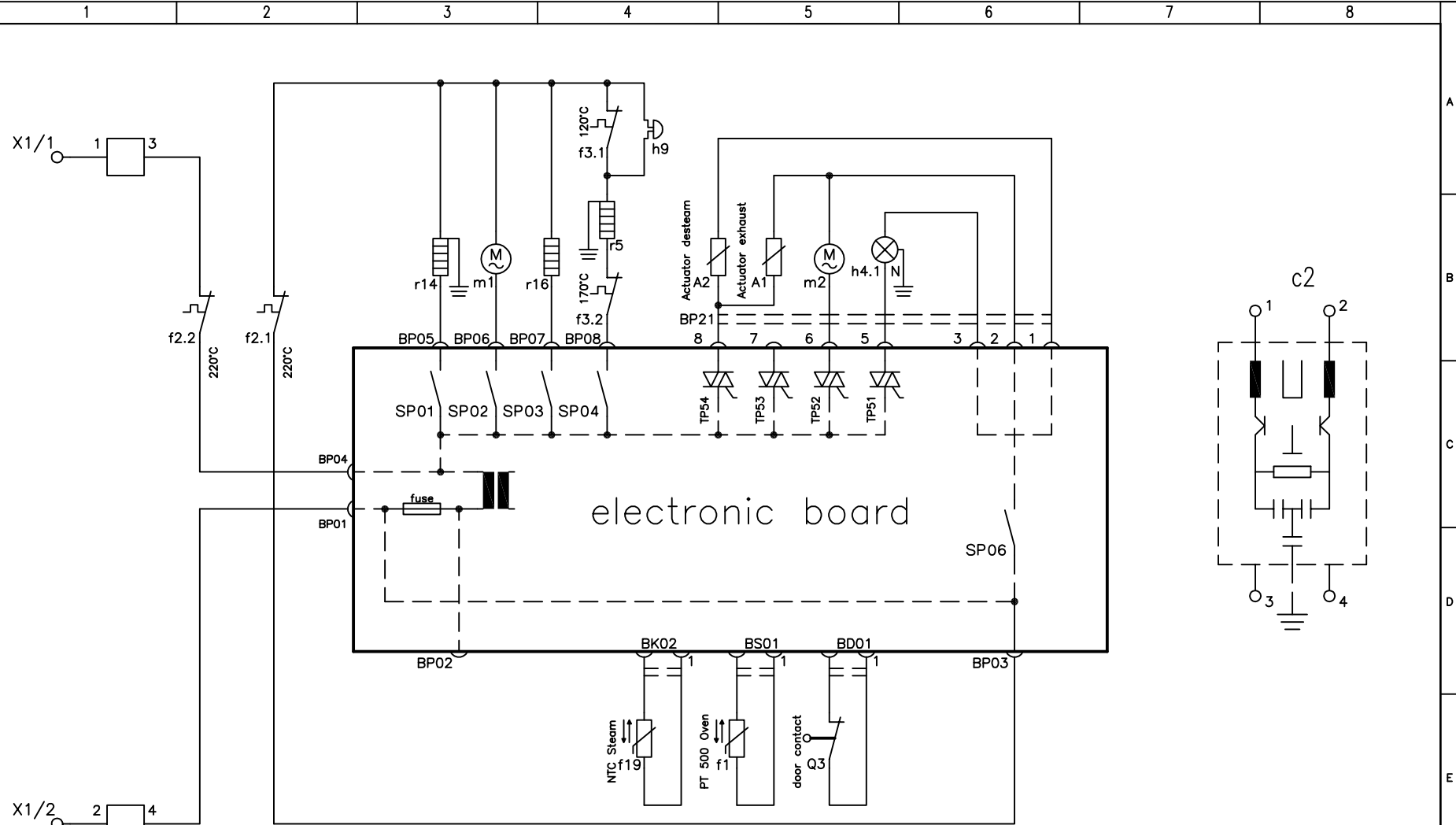


Items shown in this drawing must not contain substances that are banned according to Directive, 2002/95/EC, the RoHS Directive (Lead, Cadmium, Mercury, hexavalent Chromium, PBB and PBDE), or substances classified as "Banned" or "Restricted" according to the Electrolux Restricted Materials List.

This drawing contains confidential information and is the property of Electrolux, without whose permission it may not be copied, shown or handed to a third party or otherwise used, and it is to be returned promptly upon request to the design owner, who is responsible for the drawing.



A First Edition				Büschke	DGT 55257	2007-10-10
POS	MODIFICATIONS			SIGNATURE	REQUEST	DATE
MATERIAL	MODEL			SCALE	EUROPEAN METHOD	
TREATMENT	WEIGHT			DESIGN USERS	REPLACES No	
DESIGN OWNER	DRN	CHD Büschke	2D ONLY	DERIVED FROM No		
DGT	DATE 2007-10-10	APPR Büschke	CONCEPT 3D	SUPPLY SPECIFICATIONS No		
				TITLE circuit diagram		
				Schaltplan		
				NUMBER 315 8884		
				REV	A	
				SHEET	1/1	

315 8884 00					wiring oven Compact steam without lightbar
VARIANT NUMBER.	REPLACED NUMBER	POS.	MODEL	DESIGN USERS	CHANGES FROM THE BASE NUMBER



GENERAL TOLERANCES
ANGLES
LENGTHS AND DIAMETERS