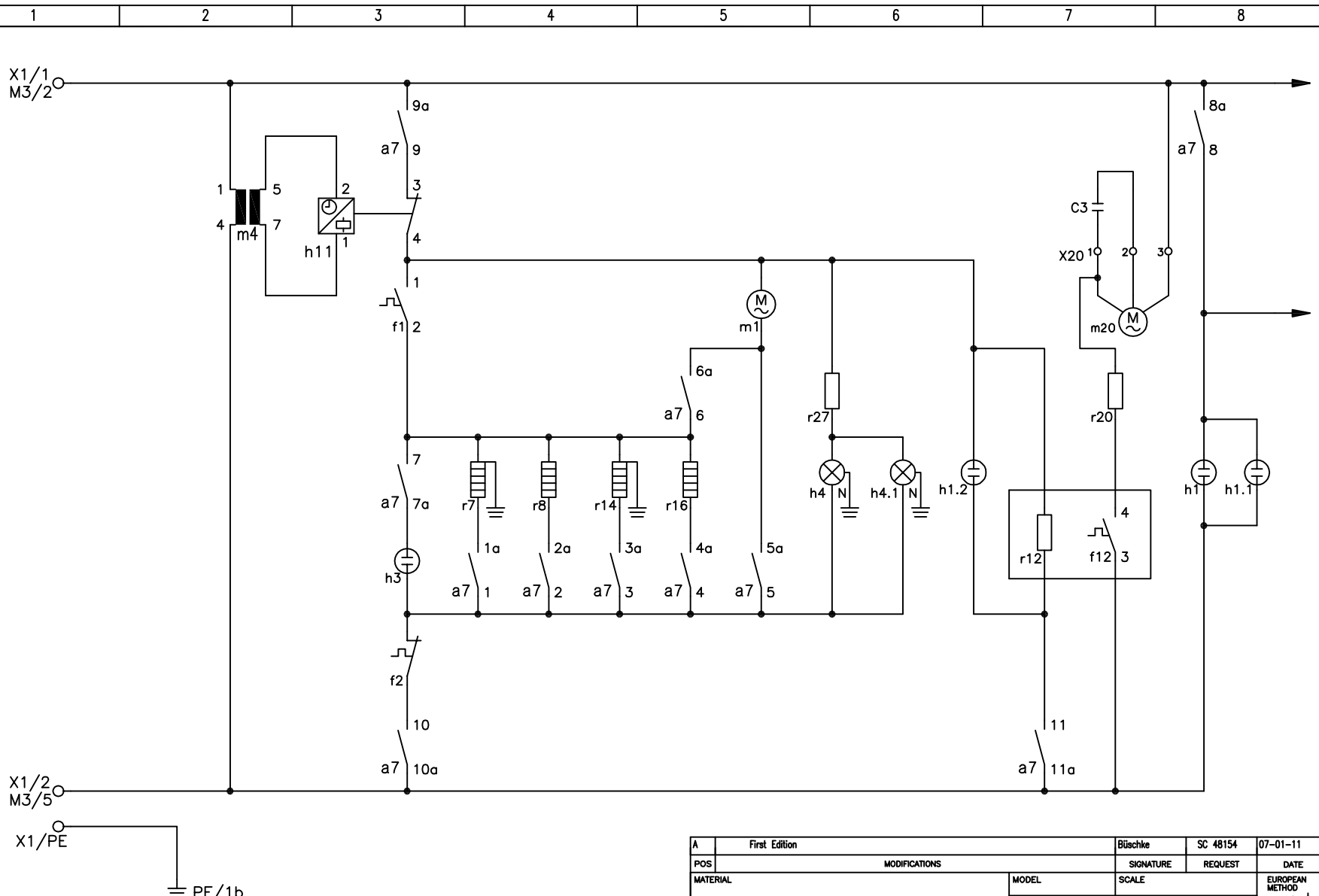


Items shown in this drawing must not contain substances that are banned according to Directive, 2002/95/EC, the RoHS Directive (Lead, Cadmium, Mercury, hexavalent Chromium, PBB and PBDE), or substances classified as "Banned" or "Restricted" according to the Electrolux Restricted Materials List.
 This drawing contains confidential information and is the property of Electrolux, without whose permission it may not be copied, shown or handed to a third party or otherwise used and it is to be returned promptly upon request to the design owner, who is responsible for the drawing.



VARIANT NUMBER.	REPLACED NUMBER	POS.	MODEL	DESIGN USERS	CHANGES FROM THE BASE NUMBER

A		First Edition		Büschke		SC 48154		07-01-11			
POS		MODIFICATIONS				SIGNATURE		REQUEST		DATE	
MATERIAL		MODEL				SCALE		EUROPEAN METHOD		REPLACES No	
TREATMENT		WEIGHT				DESIGN USERS		DERIVED FROM No		SUPPLY SPECIFICATIONS No	
DESIGN OWNER		DRN		CHD Büschke		2D ONLY		TITLE		circuit diagram	
DGT		DATE 07-01-11		APPR Büschke		CONCEPT 3D		Schaltplan		REV A	
						EXACT 3D		NUMBER		315 8640	
								SHEET		1/1	



GENERAL TOLERANCES
 ANGLES
 LENGTHS AND DIAMETERS