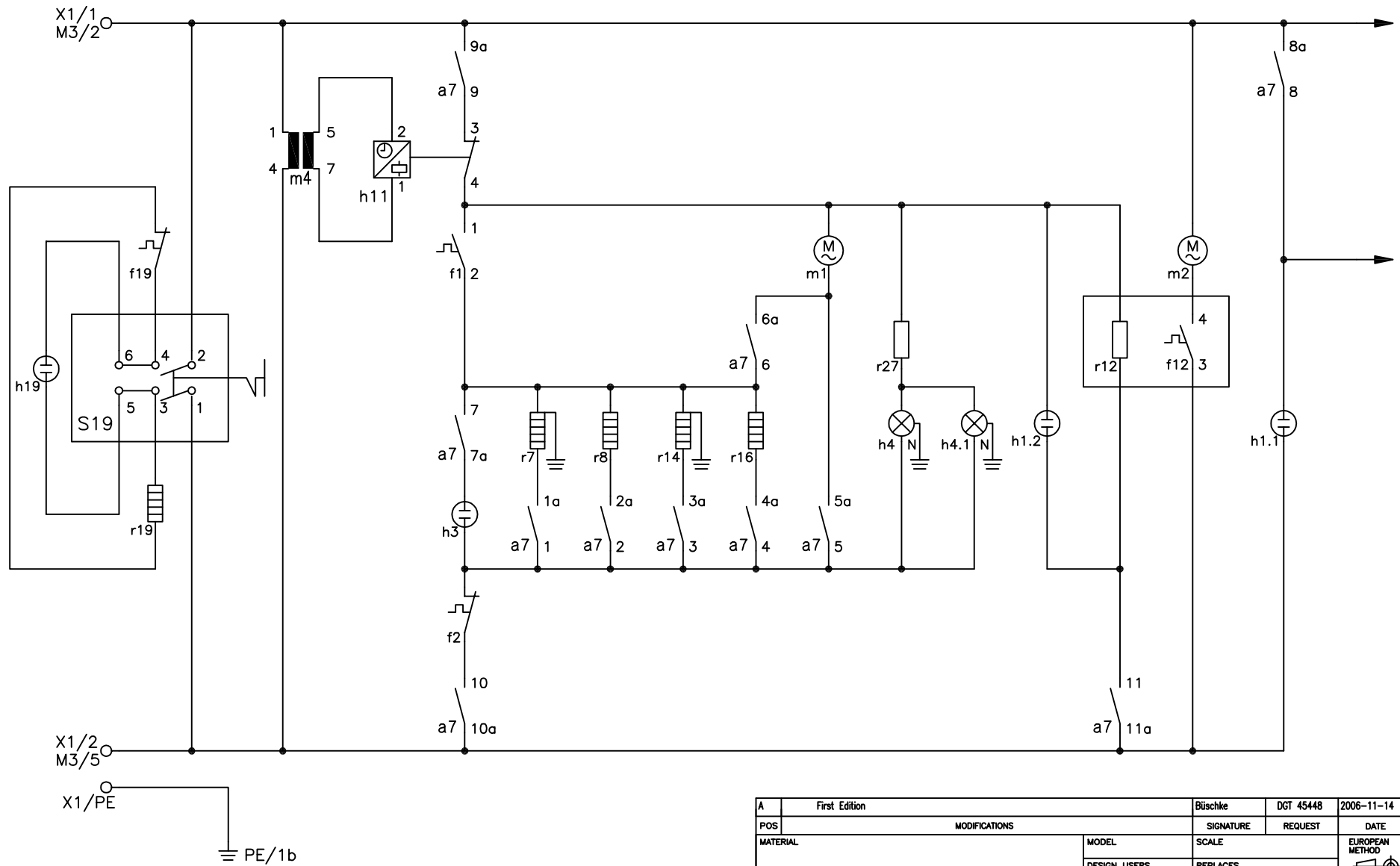


Items shown in this drawing must not contain substances that are banned according to Directive, 2002/95/EC, the RoHS Directive (Lead, Cadmium, Mercury, hexavalent Chromium, PBB and PBDE), or substances classified as "Banned" or "Restricted" according to the Electrolux Restricted Materials List.

This drawing contains confidential information and is the property of Electrolux, without whose permission it may not be copied, shown or handed to a third party or otherwise used and it is to be returned promptly to the design owner, who is responsible for the drawing.



GENERAL TOLERANCES
ANGLES
LENGTHS AND DIAMETERS

VARIANT NUMBER	REPLACED NUMBER	POS.	MODEL	DESIGN USERS	CHANGES FROM THE BASE NUMBER

A First Edition		Büschke	DGT 45448	2006-11-14
MODIFICATIONS		SIGNATURE	REQUEST	DATE
MATERIAL		MODEL		SCALE
TREATMENT		DESIGN USERS		REPLACES No
DESIGN OWNER DRN		CHD Büschke		DERIVED FROM No
DGT		APPR Büschke		SUPPLY SPECIFICATIONS No
DATE 14.11.2006		CONCEPT 3D		EUROPEAN METHOD
EXACT 3D		TITLE circuit diagram		
		Schaltplan		REV A
		NUMBER 315 8570		
				SHEET 1/1

