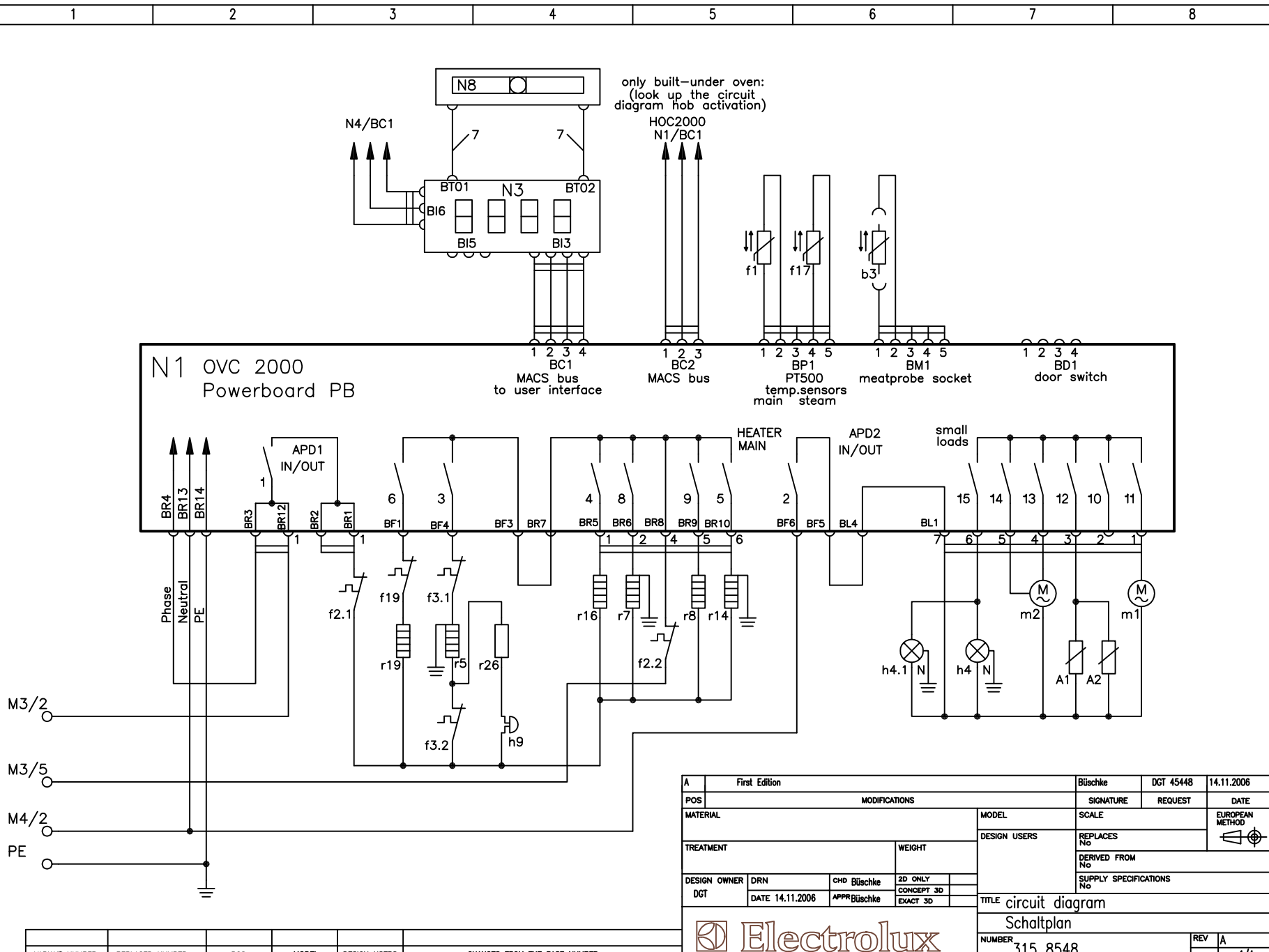


This drawing contains confidential information and is the property of Electrolux. Without whose permission it shall not be reproduced, stored in a retrieval system or otherwise used and it is to be returned promptly upon request to the design owner, who is responsible for the drawing.

Items shown in this drawing must not contain substances that are banned according to Directive, 2002/95/EC, the RoHS Directive (lead, cadmium, mercury, hexavalent chromium, and polybrominated biphenyls and polybrominated diphenyl ether), or substances classified as "Restricted" or "Prohibited" according to the Electrolux Restricted Materials List.

GENERAL TOLERANCES  
ANGLES  
LENGTHS AND DIAMETERS



only built-under oven:  
(look up the circuit  
diagram hob activation)

N1 OVC 2000  
Powerboard PB

First Edition		Blüschke		DGT 45448		14.11.2006	
POS	MODIFICATIONS			SIGNATURE	REQUEST	DATE	
MATERIAL	MODEL			SCALE		EUROPEAN METHOD	
TREATMENT	WEIGHT			DESIGN USERS		REPLACES No	
DESIGN OWNER	DRN	CHD Blüschke	2D ONLY	DERIVED FROM No		SUPPLY SPECIFICATIONS No	
DGT	DATE 14.11.2006	APPR Blüschke	CONCEPT 3D	TITLE circuit diagram		REV A	
Electrolux				Schaltplan		NUMBER 315 8548	
VARIANT NUMBER.						SHEET 1/1	

VARIANT NUMBER.	REPLACED NUMBER	POS.	MODEL	DESIGN USERS	CHANGES FROM THE BASE NUMBER