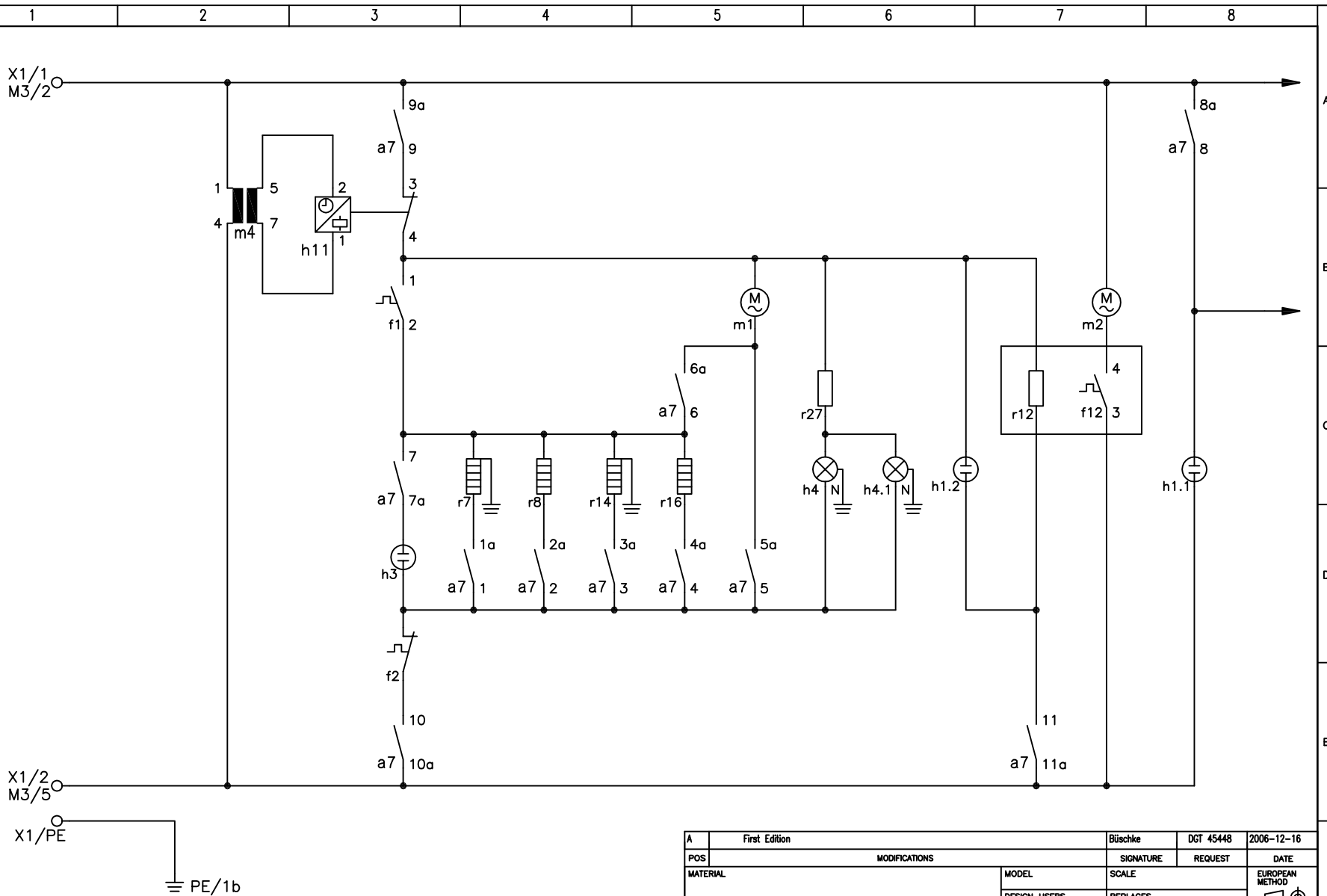


Items shown in this drawing must not contain substances that are banned according to Directive, 2002/95/EC, the RoHS Directive (Lead, Cadmium, Mercury, hexavalent Chromium, PBB and PBDE), or substances classified as "Banned" or "Restricted" according to the Electrolux Restricted Materials List.
 This drawing contains confidential information and is the property of Electrolux, without whose permission it may not be copied, shown or handed to a third party or otherwise used, and it is to be returned promptly upon request to the design owner, who is responsible for the drawing.



A		First Edition		Büschke		DGT 45448		2006-12-16			
POS		MODIFICATIONS				SIGNATURE		REQUEST		DATE	
MATERIAL		MODEL				SCALE		EUROPEAN METHOD		REPLACES No	
TREATMENT		WEIGHT				DESIGN USERS		DERIVED FROM No		SUPPLY SPECIFICATIONS No	
DESIGN OWNER		DRN		CHD Büschke		2D ONLY		CONCEPT 3D		EXACT 3D	
DGT		DATE 2006-12-16		APPR Büschke		TITLE		circuit diagram		Schaltplan	
VARIANT NUMBER.		REPLACED NUMBER		POS.		MODEL		DESIGN USERS		CHANGES FROM THE BASE NUMBER	
NUMBER		315 8546		REV		A		SHEET		1/1	



GENERAL TOLERANCES
 ANGLES
 LENGTHS AND DIAMETERS
 ECSCAD A3