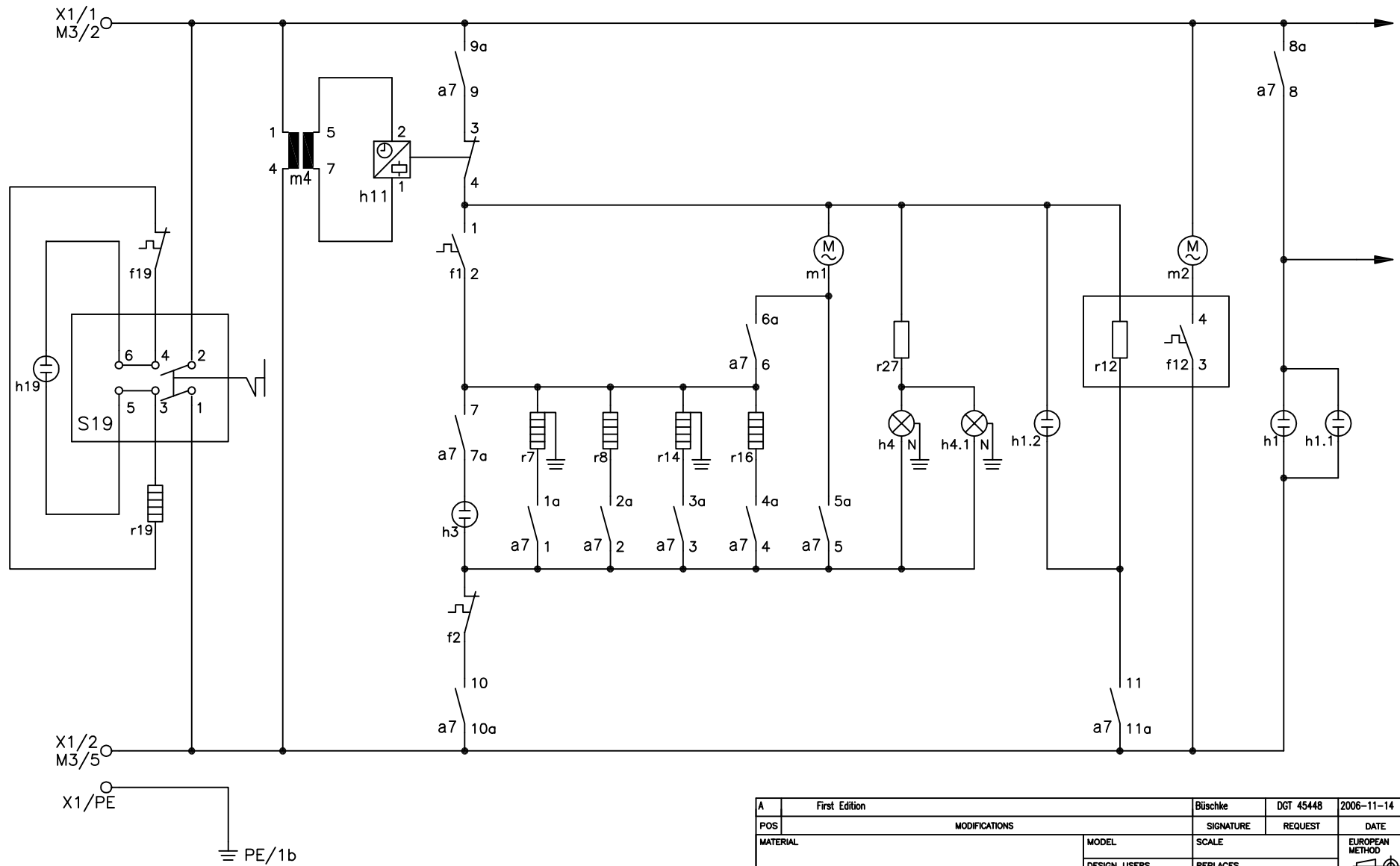


Items shown in this drawing must not contain substances that are banned according to Directive, 2002/95/EC, the RoHS Directive (Lead, Cadmium, Mercury, hexavalent Chromium, PBB and PBDE), or substances classified as "Banned" or "Restricted" according to the Electrolux Restricted Materials List.

This drawing contains confidential information and is the property of Electrolux, without whose permission it may not be copied, shown or handed to a third party or otherwise used and it is to be returned promptly to the design owner, who is responsible for the drawing.



GENERAL TOLERANCES  
ANGLES  
LENGTHS AND DIAMETERS

VARIANT NUMBER	REPLACED NUMBER	POS.	MODEL	DESIGN USERS	CHANGES FROM THE BASE NUMBER

A First Edition		Büschke	DGT 45448	2006-11-14
POS MODIFICATIONS		SIGNATURE	REQUEST	DATE
MATERIAL		MODEL	SCALE	EUROPEAN METHOD
TREATMENT		DESIGN USERS	REPLACES No	
DESIGN OWNER DRN		CHD Büschke	2D ONLY	
DGT	DATE 14.11.2006	APPR Büschke	CONCEPT 3D	DERIVED FROM No
			EXACT 3D	SUPPLY SPECIFICATIONS No
TITLE circuit diagram				
Schaltplan				
NUMBER 315 8544			REV A	
			SHEET 1/1	

