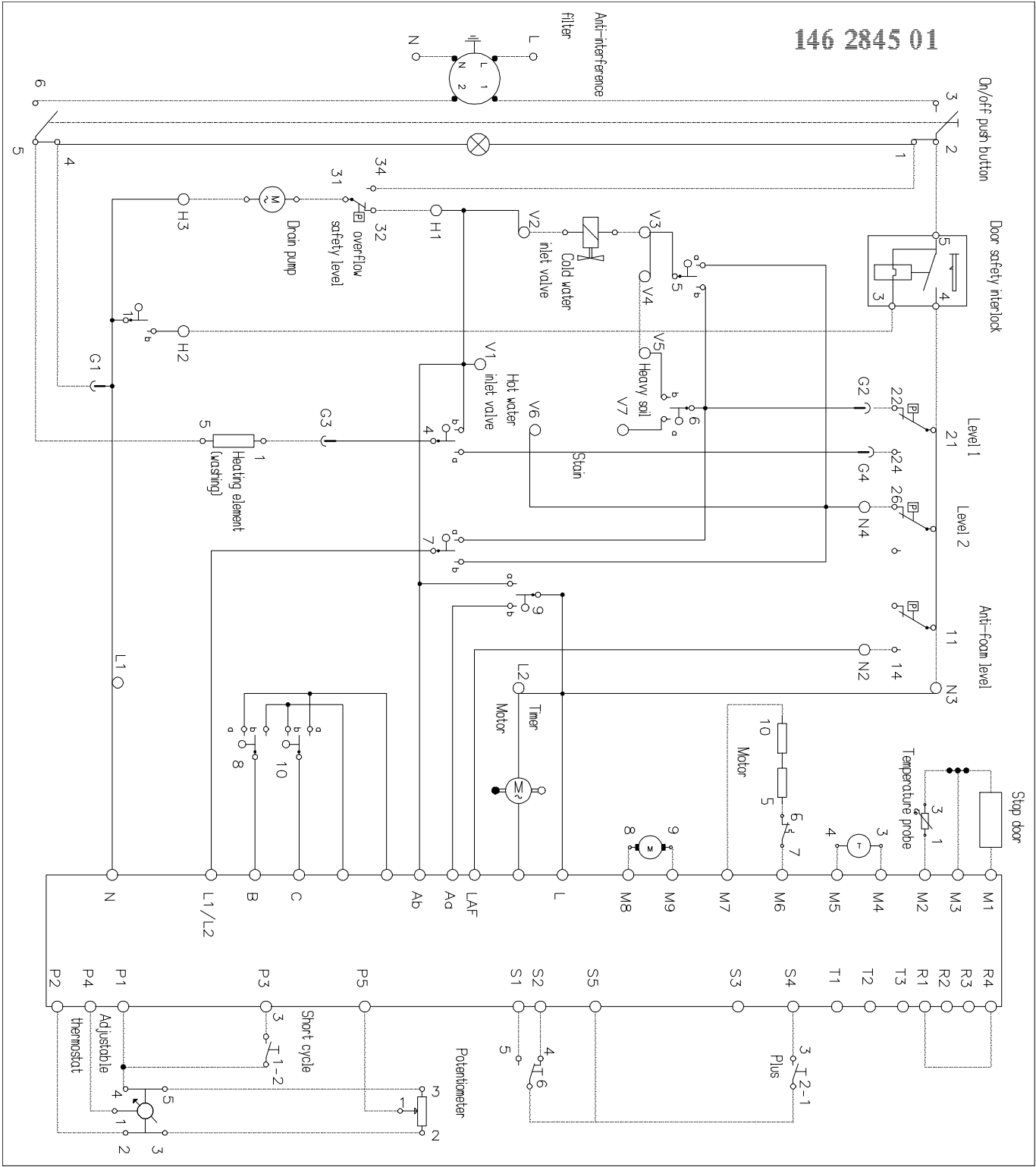


146 2845 01



On/off push button

Door safety interlock

Level 1

Level 2

Anti-foam level

Stop door

Temperature probe

Motor

Timer

Motor

Potentiometer

Short cycle

Adjustable thermostat

Anti-interference filter

