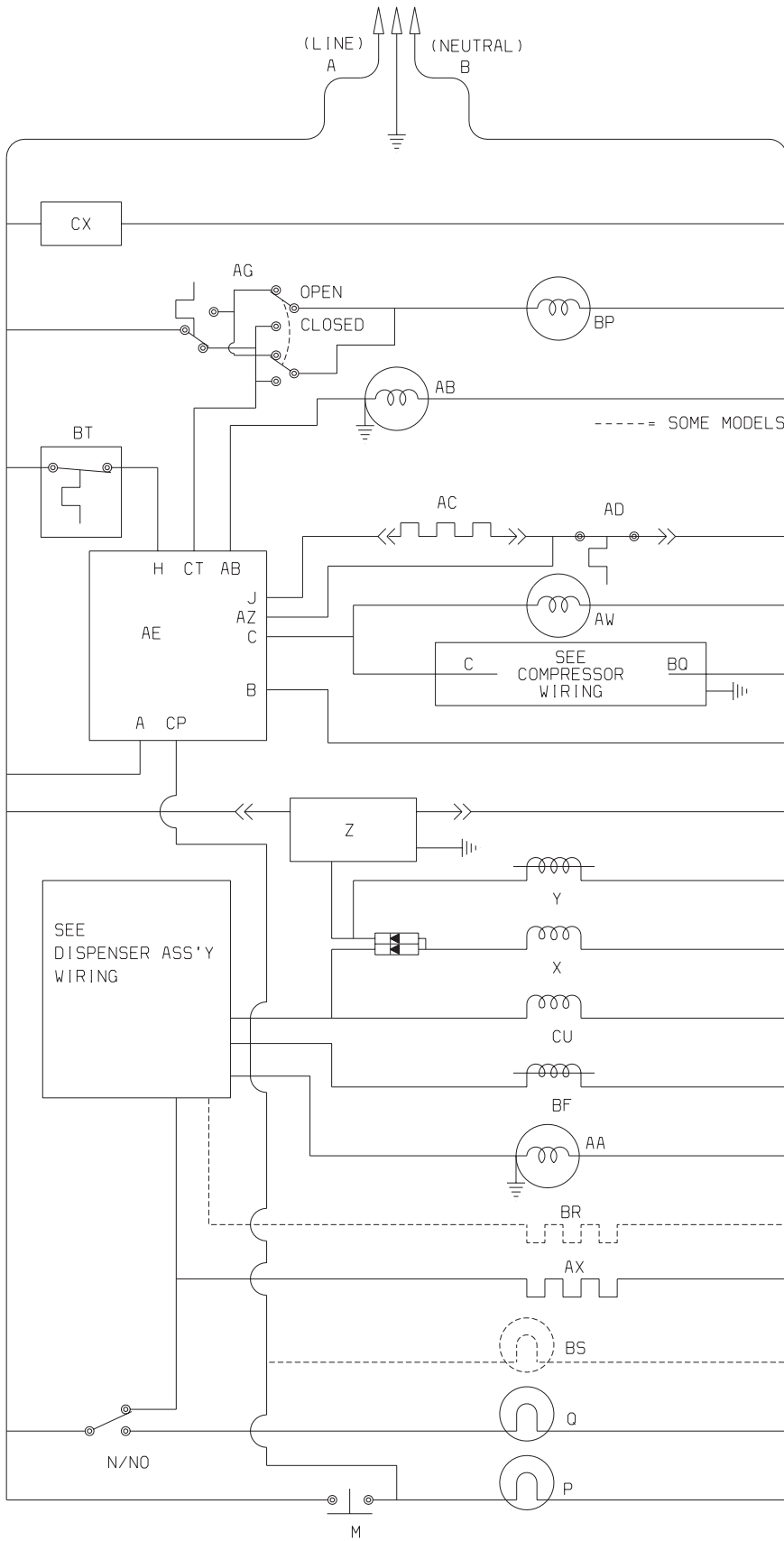
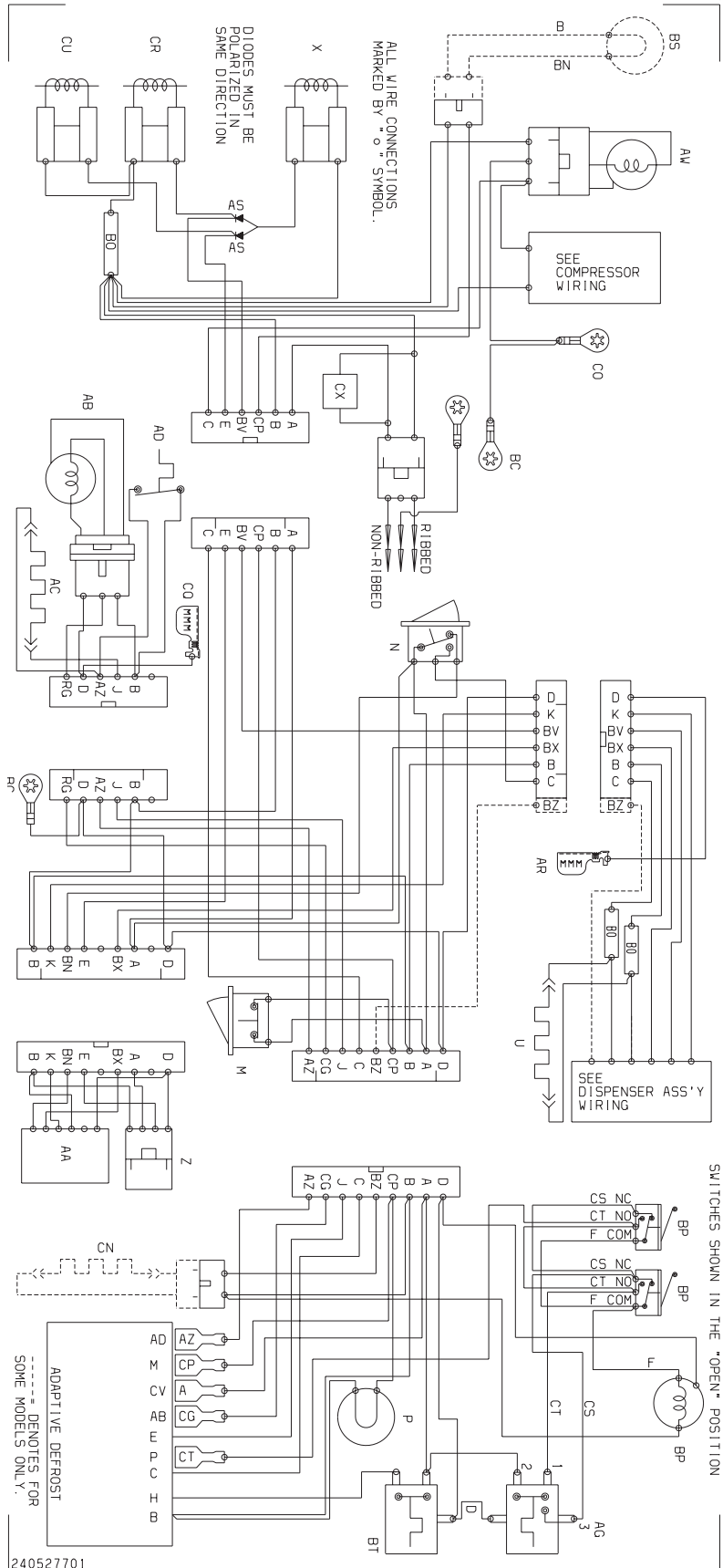


WIRING SCHEMATIC



WIRING DIAGRAM



240527701

= Fast-moving Parts
 * = Non-Illustrated Parts