

## BI Hob

Brand

Tiba

Model

GKTRW21/812

PNC

941 689 006

Factory

SC=Schwanden

### System

Hob type

Ceramic Glass

Connector type

4x6 P (AMP)

### Structure

Type

Normal BI

H/W/D

40/506/471

Cutting H/W/D

40/513/478

Top control place

No

Left Rear

Controls

Hilight

Energy Regulator

Middle Rear

Controls

None

None

Right Rear

Controls

Hilight

Energy Regulator

Left Front

Controls

Dual Circuit Round, Hilight

Energy Regul., 2 Circles

Middle Front

Controls

None

None

Right Front

Controls

Hilight

Energy Regulator

### Functionality

Resid. heating indicat.

4

Placement

1 Block

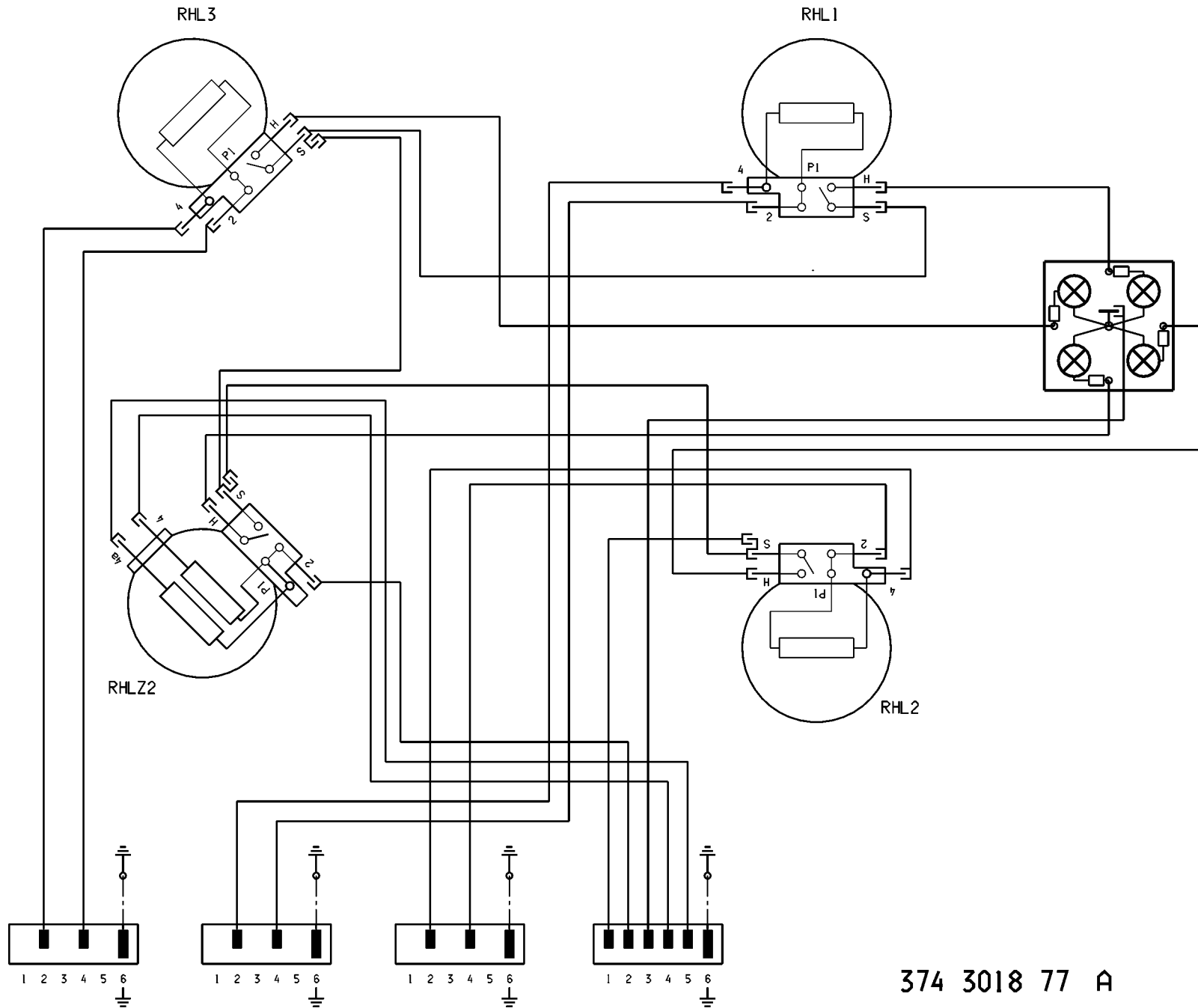
### Data

Total Electricity

7100

Volt

400 V



374 3018 77 A