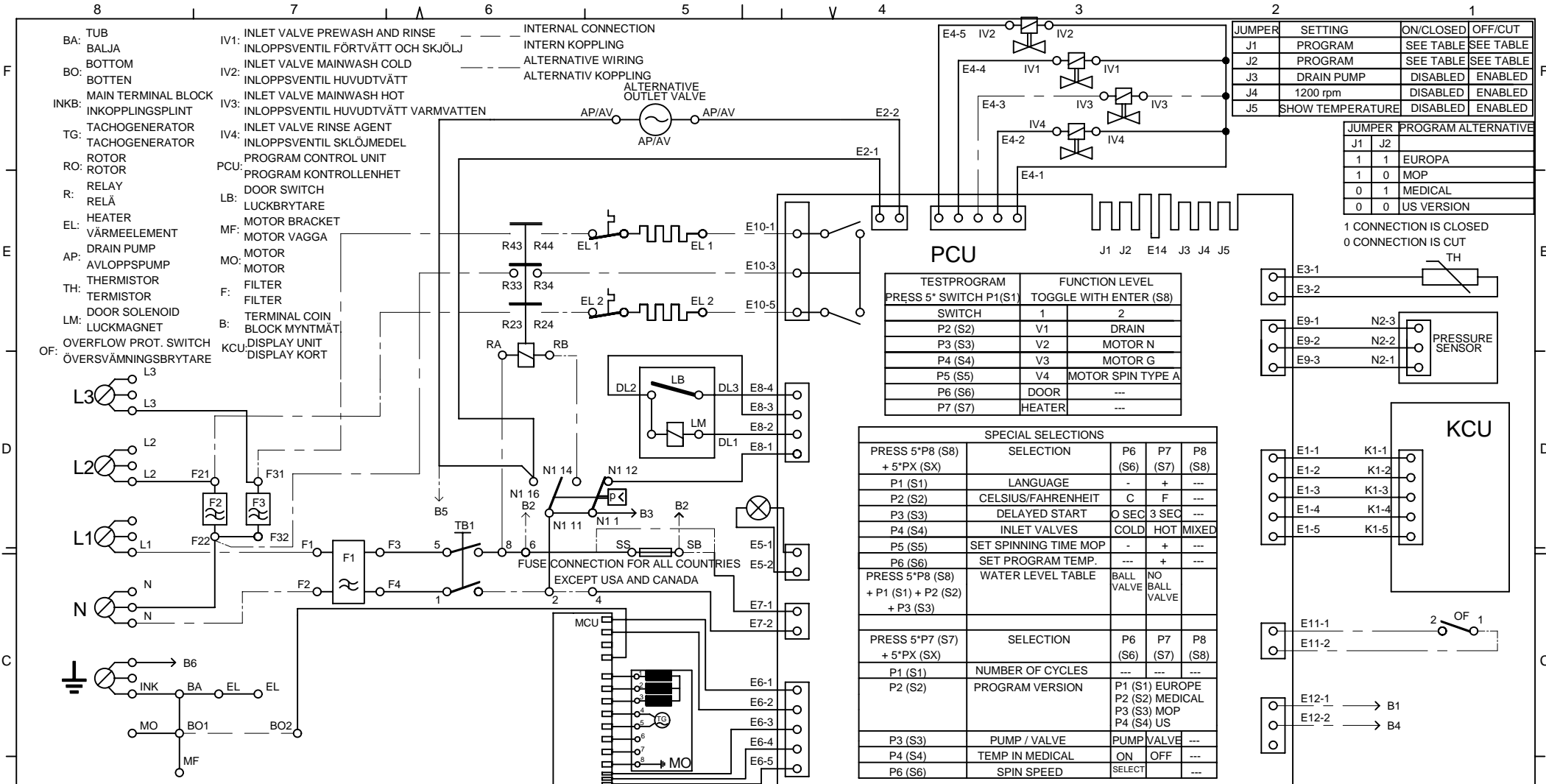


KOMPLETTSCHEMA 80 794 96-00

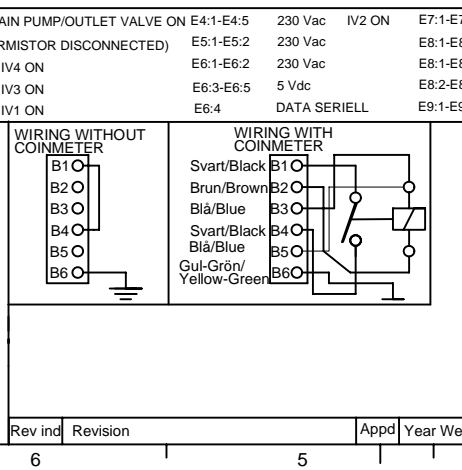
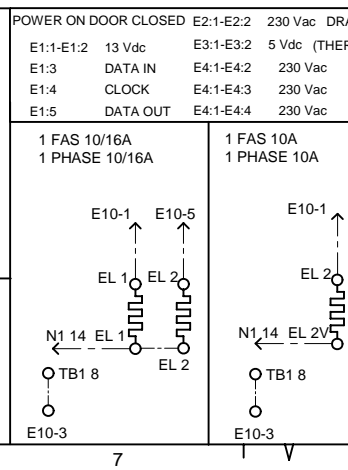
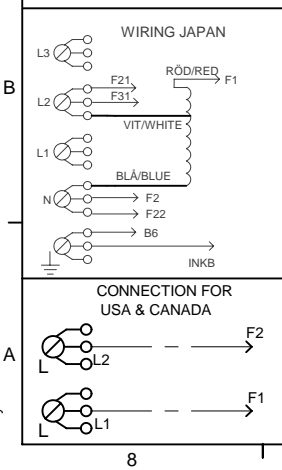
S:\UUMWD201_Tryckunderlag\Kopplingschema\8079497_Kopplingschema WMC55 (CIM)\00.dft . pema . 2005-11-09 09:22:50



JUMPER	SETTING	ON/CLOSED	OFF/CUT
J1	PROGRAM	SEE TABLE	SEE TABLE
J2	PROGRAM	SEE TABLE	SEE TABLE
J3	DRAIN PUMP	DISABLED	ENABLED
J4	1200 rpm	DISABLED	ENABLED
J5	SHOW TEMPERATURE	DISABLED	ENABLED

JUMPER	PROGRAM	ALTERNATIVE
1	1	EUROPA
1	0	MOP
0	1	MEDICAL
0	0	US VERSION

1 CONNECTION IS CLOSED
0 CONNECTION IS CUT



Pos.	Qty	Part No.	Name of item	Material
Material		Dens.Kg/dm3		Dimensions, Type, etc.
Scale		Gen.tolerance		Description(ENG)
Designed by		Gen.tol.Angle		Circuit diagram WMC55 (CIM)
Released by		Iss by Dept Year Week		Description(SE)
		UT 05 45		Kopplingschema WMC55 (CIM)
Rev ind		Appd		Year Week
		ASKO CYLINDA		80 794 97 00
				Rev Ind
				Replace
				Project

This document must not be copied without our written permission, and the contents thereof must not be imparted to a third party without the express written authorization of Askocylinda AB.