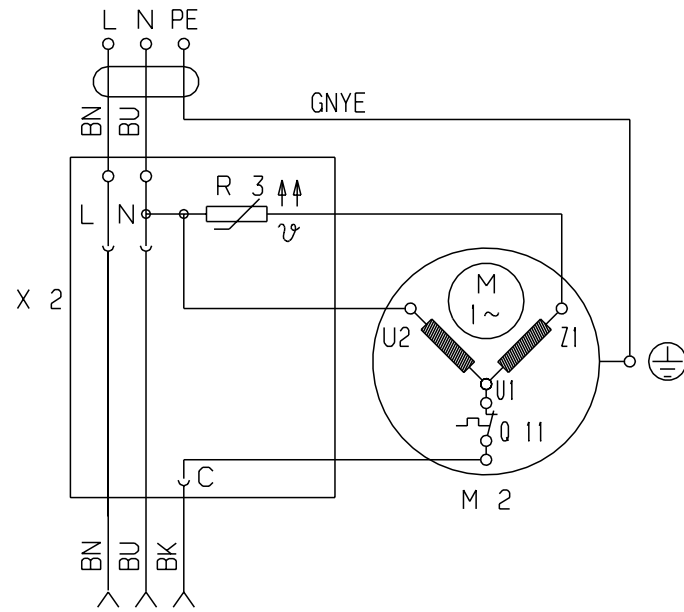
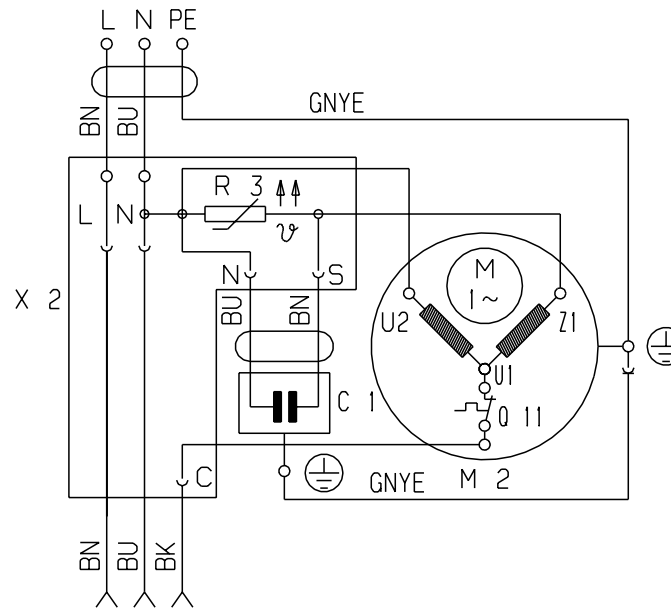


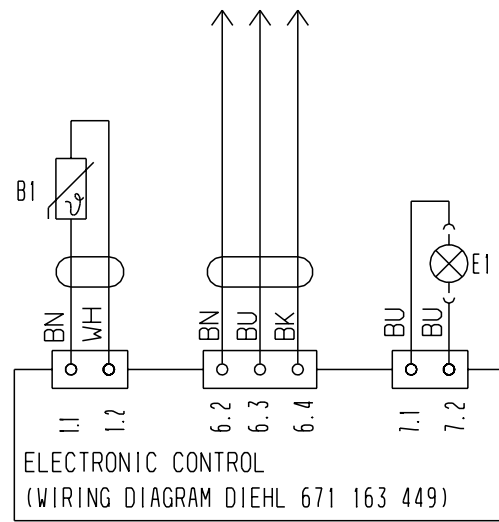
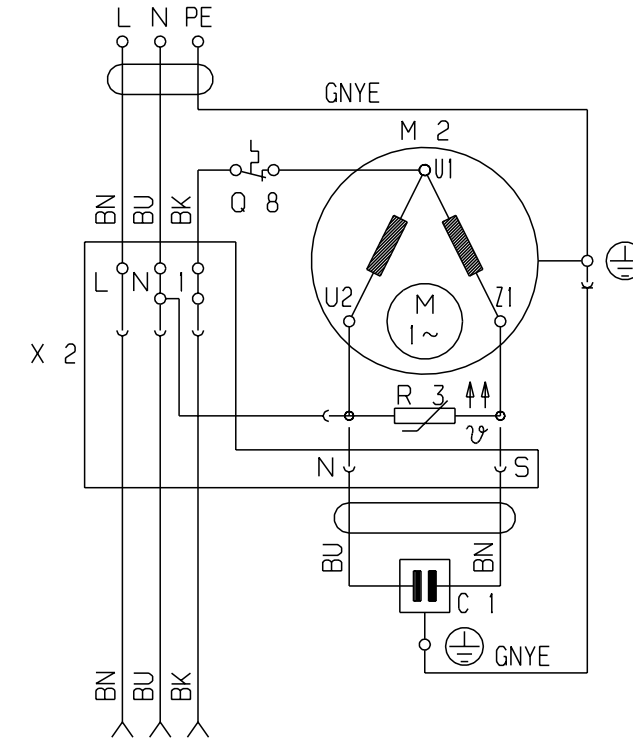
### DANFOSS



### DANFOSS



### EMBRACO



- B1 = AIR TEMP. SENSOR  
LUFTTEMPERATURFUEHLER
- B2 = EVAPOTATOR TEMP. SENSOR  
VERDAMPFERTEMPERATURFUEHLER
- C1 = RUN CAPACITOR  
BETRIEBSKONDENSATOR
- C2 = START CAPACITOR  
ANLAUFKONDENSATOR
- C3 = INTERFERENCE SUPPRESSOR  
FUNK-ENTSTOERFILTER
- E1 = LAMP  
LAMPE
- F1 = TEMPERATURE PROTECTOR FOR HEATER TRAY  
THERMOSTATSICHERUNG FLAECHEHEIZUNG
- F2 = TEMPERATURE PROTECTOR FOR EVAPORATOR HEATER  
THERMOSTATSICHERUNG VERDAMPFERHEIZUNG
- H1 = LAMP - GREEN  
LAMPE GRUEN
- H2 = LAMP - YELLOW  
LAMPE GELB
- H3 = LAMP - RED  
LAMPE ROT
- H4 = AUDIBLE ALARM  
TONWARNER
- K1 = START RELAIS (FRIDGE)  
ANLAUFRELAIS (KUEHLEN)
- K2 = START RELAIS (FREEZER)  
ANLAUFRELAIS (GEFRIEREN)
- M1 = COMPRESSOR (FRIDGE)  
MOTORVERDICHTER (KUEHLEN)

- M2 = COMPRESSOR (FREEZER)  
MOTORVERDICHTER (GEFRIEREN)
- M3 = FAN MOTOR  
LUEFTERMOTOR
- O1 = THERMOSTAT  
THERMOSTAT
- O2 = THERMOSTAT WITH MAIN SWITCH AND  
WARNING CONTACT FOR FREEZER  
THERMOSTAT MIT NETZSCHALTER UND  
WARNKONTAKT BEI GEFRIEREN
- O4 = THERMOSTAT WITH WARNING CONTACT  
THERMOSTAT MIT WARNKONTAKT
- O7 = MOTOR PROTECTOR (FRIDGE)  
MOTORSCHUTZSCHALTER (KUEHLEN)
- O8 = MOTOR PROTECTOR (FREEZER)  
MOTORSCHUTZSCHALTER (GEFRIEREN)
- O9 = MAIN SWITCH  
NETZSCHALTER
- O10 = FAST FREEZE SWITCH  
SCHNELLGEFRIERSCHALTER
- O11 = WINDING PROTECTOR  
WICKLUNGSSCHUTZ
- R1 = PTC RESISTOR (FRIDGE)  
PTC-WIDERSTAND (KUEHLEN)
- R2 = DEFROST HEATER (EVAPORATOR)  
ABTAUHEIZUNG
- R3 = PTC RESISTOR (FREEZER)  
PTC-WIDERSTAND (GEFRIEREN)
- R5 = HEATER DEFROST TRAY  
HEIZUNG TAUWASSERSCHALE

- S1 = DOOR SWITCH  
TUERSCHALTER
- X1 = TERMINAL BOARD (FRIDGE)  
KLEMMLEISTE (KUEHLEN)
- X2 = TERMINAL BOARD (FREEZER)  
KLEMMLEISTE (GEFRIEREN)
- X3 = TERMINAL BOARD (MODULE)  
KLEMMLEISTE (MUDUL)
- L = PHASE  
PHASE
- N = NEUTRAL  
NULLEITER
- PE = GROUND  
SCHUTZLEITER
- BN = BROWN  
BRAUN
- BU = BLUE  
BLAU
- GNYE = GREEN YELLOW  
GRUEN GELB
- BK = BLACK  
SCHWARZ
- WH = WHITE  
WEISS
- GY = GREY  
GRAU
- RD = RED  
ROT