

THE ITEM(S) SHOWN IN THIS DRAWING MUST NOT CONTAIN FORMALDEHYDE, CADMIUM, MERCURY, ASBESTOS OR PBB/PBBO.

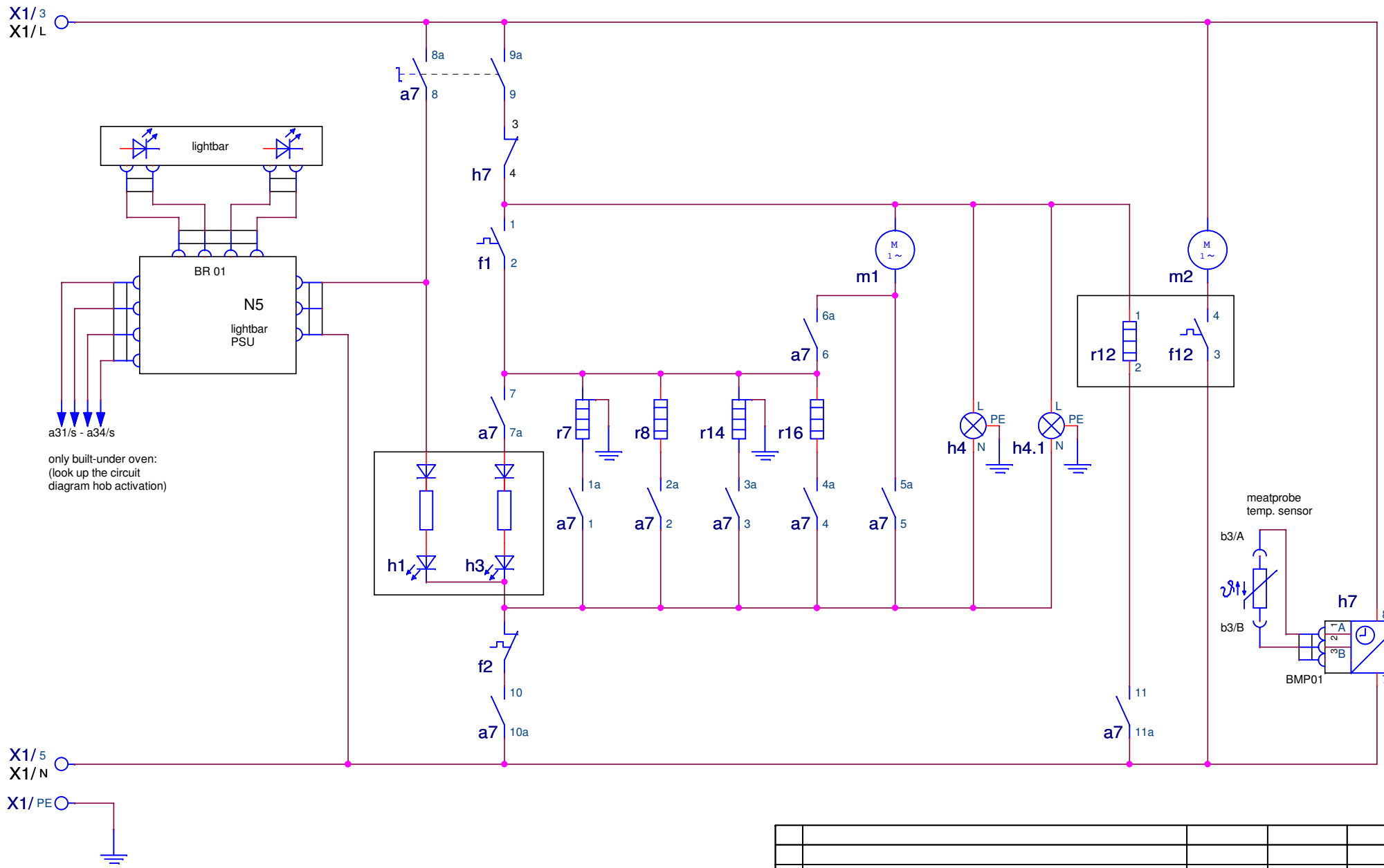
THIS DRAWING CONTAINS CONFIDENTIAL INFORMATION. IT'S PROPERTY OF ELECTROLUX WITHOUT WHOSE PERMISSION IT MAY NOT BE COPIED, SHOWN OR HANDED TO A THIRD PARTY OR OTHERWISE USED, AND IT IS TO BE RETURNED PROMPTLY UPON REQUEST TO ELECTROLUX WHICH IS RESPONSIBLE FOR THE DRAWING.

CRITICAL DIMENSIONS WHICH MUST BE UNDER CAPABILITY [2] SAFETY RISKS DRAFT ANGLES (NOT SHOWN): 00°00'00"

THEORETICAL FLAT AREA DEVELOPED FLAT AREA

GENERAL TOLERANCES ANGLES : ±° LENGTHS AND DIAMETERS : 18-80 mm : ±0.10 mm >80 mm : ±0.15 mm

A4



only built-under oven:
(look up the circuit
diagram hob activation)

DESIGN		OWNER		DRN		CHD		DATE		DESIGN		USERS		EUROPEAN METHOD			
DGT		DGR-PE_PD		Renner		Renner		2007-09-14		-		-					
Electrolux										TITLE circuit diagram oven TITEL Schaltplan Herd NUMBER 387 5942 SHEET 01 (01) REV A							
A new drawing created Renner DGT 54680 2007-09-14												SIGNATURE		REQUEST		DATE	