

THE ITEM(S) SHOWN IN THIS DRAWING MUST NOT CONTAIN FORMALDEHYDE, CADMIUM, MERCURY, ASBESTOS OR PBB/PBDO.

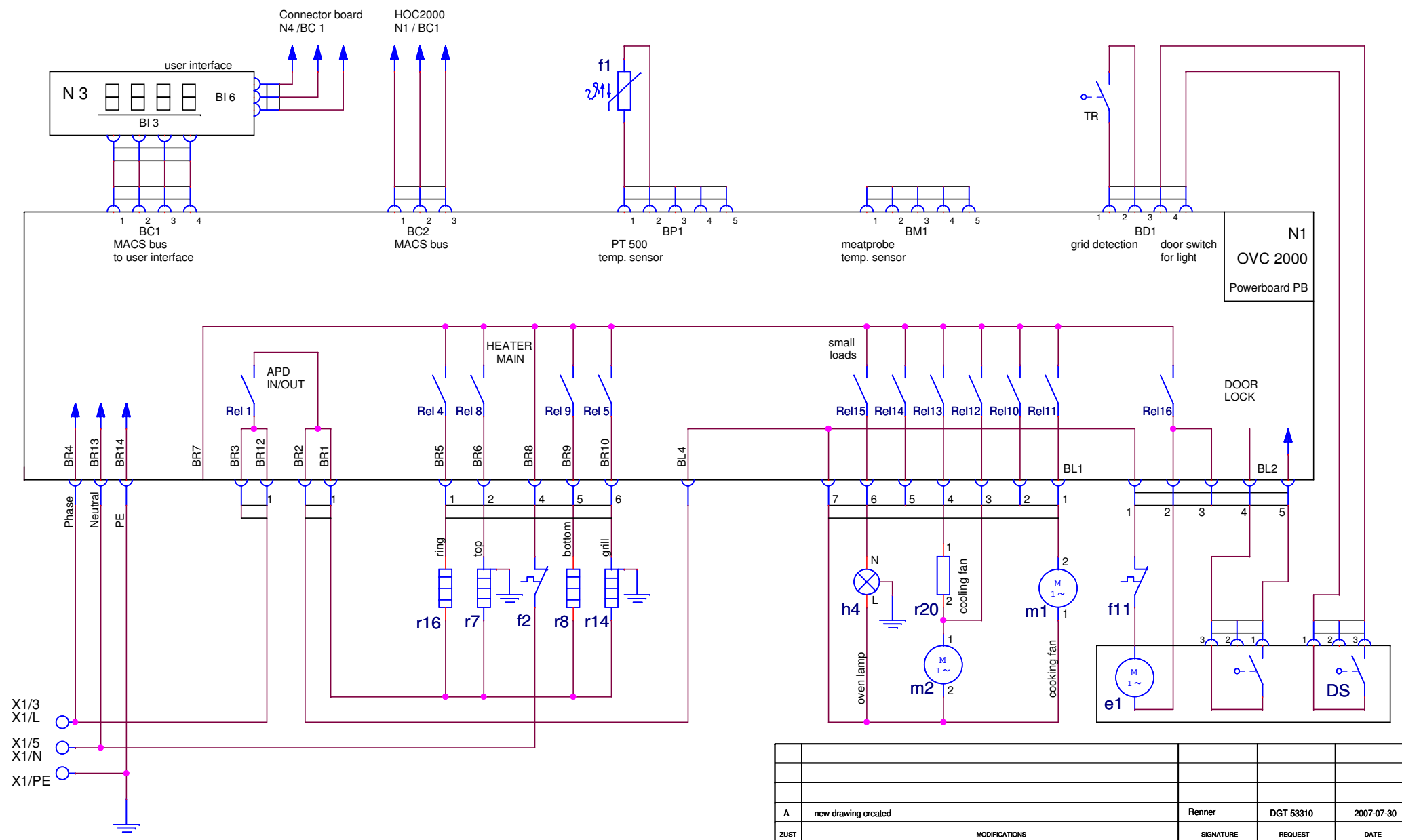
THIS DRAWING CONTAINS CONFIDENTIAL INFORMATION. IT'S PROPERTY OF ELECTROLUX WITHOUT WHOSE PERMISSION IT MAY NOT BE COPIED, SHOWN OR HANDLED TO A THIRD PARTY OR OTHERWISE USED, AND IT IS TO BE RETURNED PROMPTLY UPON REQUEST TO ELECTROLUX WHICH IS RESPONSIBLE FOR THE DRAWING.

CRITICAL DIMENSIONS WHICH MUST BE UNDER CAPABILITY [2] SAFETY RISKS DRAFT ANGLES (NOT SHOWN): 0°/0°/0°

THEORETICAL FLAT AREA DEVELOPED FLAT AREA

GENERAL TOLERANCES ANGLES : ±° LENGTHS AND DIAMETERS : 18-80 mm : ± mm >80 mm : ± mm

only built-under oven:
(look up the circuit diagram hob activation)



DESIGN		OWNER		DRN		CHD		DATE		DESIGN		USERS		EUROPEAN METHOD	
DGT		PD HEO		Renner		Renner		2007-07-30		-		-			
A new drawing created										Renner		DGT 53310		2007-07-30	
ZUST										SIGNATURE		REQUEST		DATE	
MODIFICATIONS															
TITLE										circuit diagram oven					
TITEL										Schaltplan Herd					
NUMBER										387 5672		SHEET		REV	
												01(01)		A	



387 5672 01(01) A