

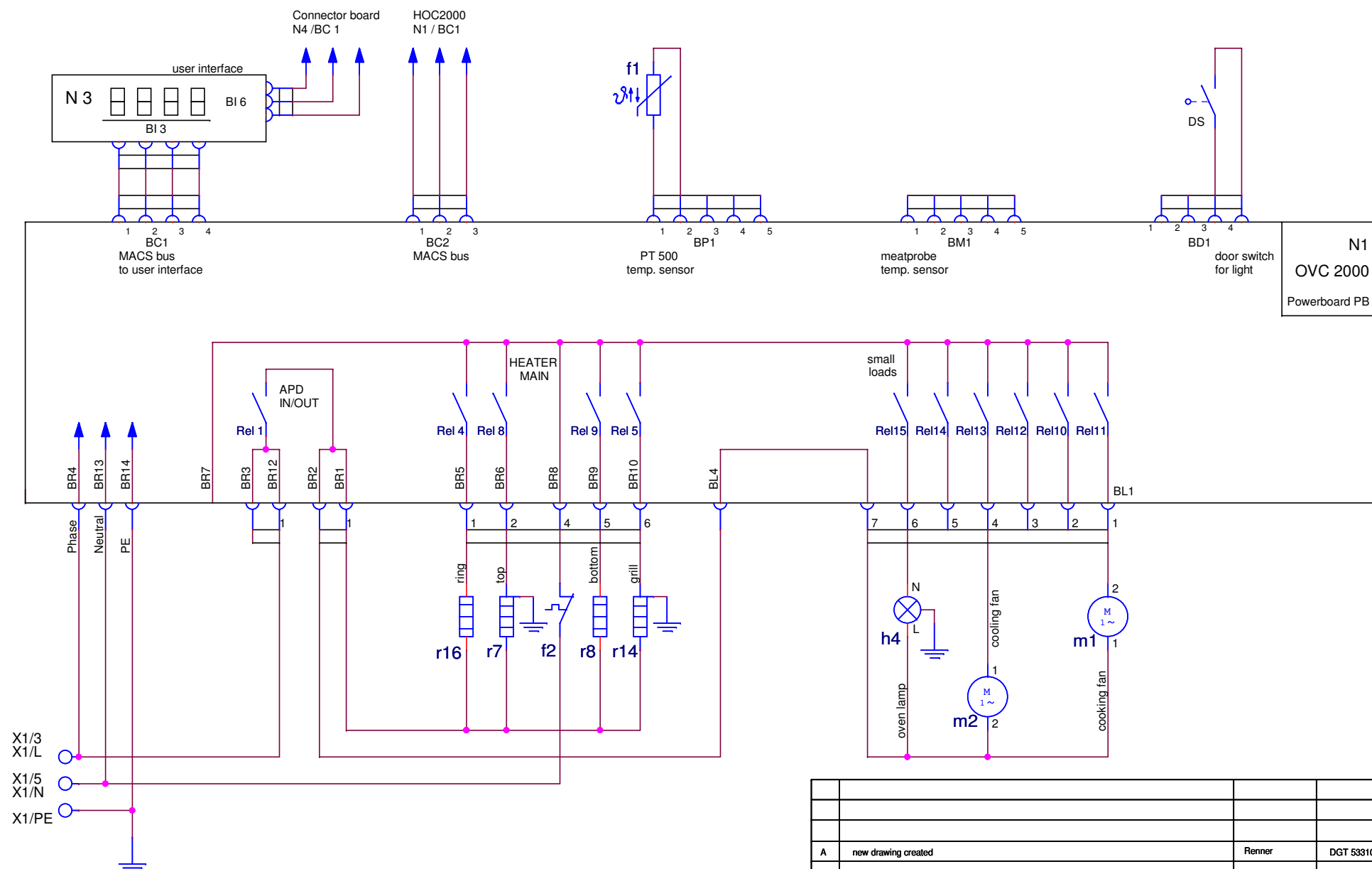
THE ITEM(S) SHOWN IN THIS DRAWING MUST NOT CONTAIN FORMALDEHYDE, CADMIUM, MERCURY, ASBESTOS OR PBB/PBDO.

THIS DRAWING CONTAINS CONFIDENTIAL INFORMATION. ITS PROPERTY OF ELECTROLUX WITHOUT WHOSE PERMISSION IT MAY NOT BE COPIED, SHOWN OR HAND TO A THIRD PARTY OR OTHERWISE USED, AND IT IS TO BE RETURNED PROMPTLY UPON REQUEST TO ELECTROLUX WHICH IS RESPONSIBLE FOR THE DRAWING.

CRITICAL DIMENSIONS WHICH MUST BE UNDER CAPABILITY [2] SAFETY RISKS  
 DRAFT ANGLES (NOT SHOWN): 0°/0000°

GENERAL TOLERANCES  
 ANGLES : ±°  
 LENGTHS AND DIAMETERS:  
 18-50 mm : ±°  
 >50 mm : ±°  
 A4

only built-under oven:  
 (look up the circuit diagram hob activation)



DESIGN		OWNER		DRN		CHD		DATE		DESIGN		USERS		EUROPEAN METHOD			
DGT		PD HEO		Renner		Renner		2007-07-30		-		-					
<b>Electrolux</b>										TITLE circuit diagram oven TITEL Schaltplan Herd NUMBER 387 5670 SHEET 01(01) REV A							
A new drawing created Renner DGT 53310 2007-07-30												SIGNATURE		REQUEST		DATE	