

ANGLES :  
 <18 mm :  
 18 - 80 mm :  
 >80 mm :

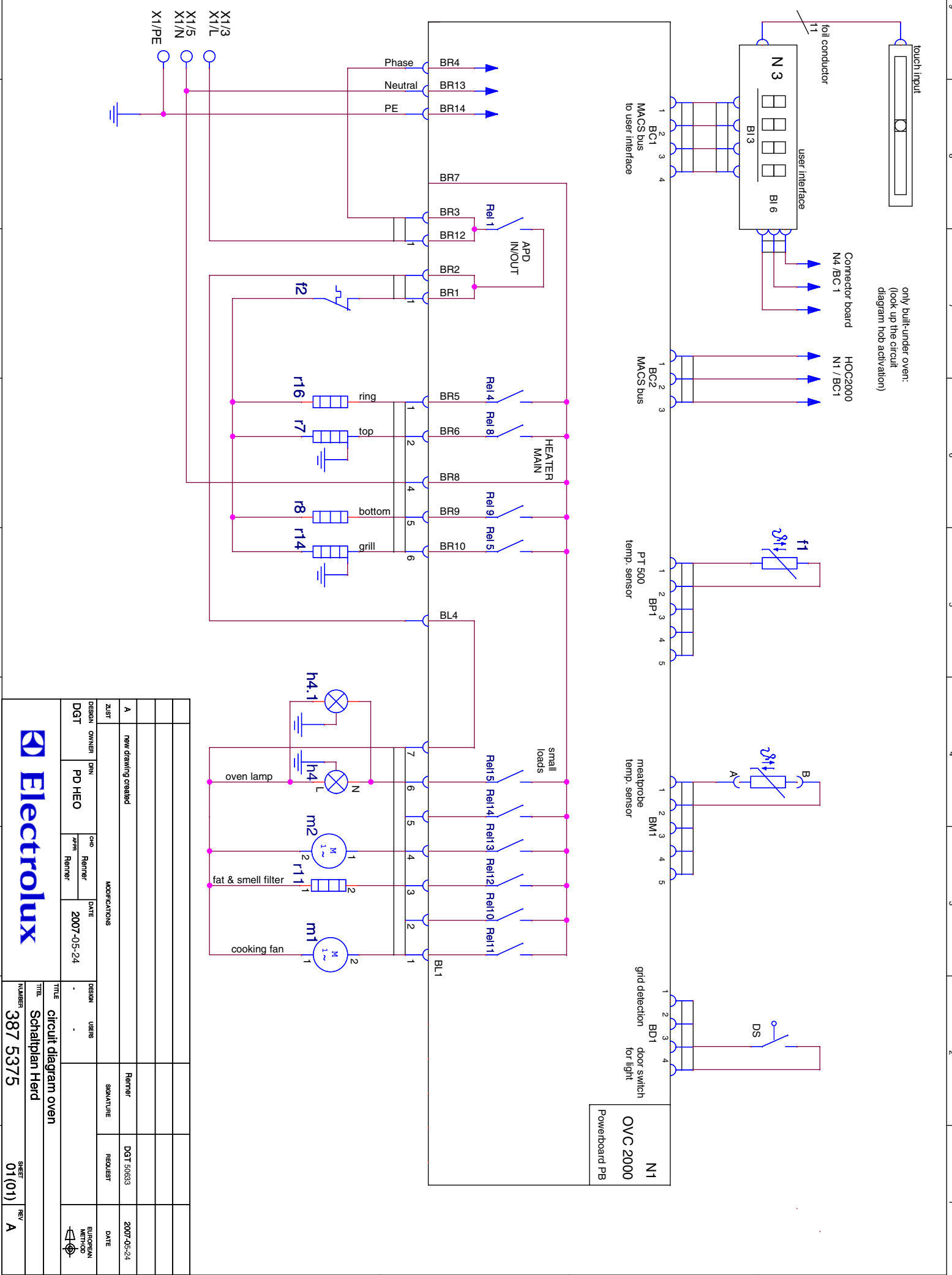
A4

TBEETALFAT AREA  
 BBEFAT AREA

CRITICAL DIMENSIONS WHICH MUST BE UNDER CAPABILITY  
**SAFETRISK**  
 : VISIBLE SURFACES  
 DRAFT ANGLES (NOT SHOWN): 00°00'00"

THIS DRAWING CONTAINS CONFIDENTIAL INFORMATIONS. IT'S PROPERTY OF ELECTROLUX WITHOUT WHOSE PERMISSION IT MAY NOT BE COPIED, SHOWN OR HANDED TO A THIRD PARTY OR OTHERWISE USED, AND IT IS TO BE RETURNED PROMPTLY UPON REQUEST TO ELECTROLUX WHICH IS RESPONSIBLE FOR THE DRAWING.

THE ITEM(S) SHOWN IN THIS DRAWING MUST NOT CONTAIN FORMALDEHYDE, CADMIUM, MERCURY, ASBESTOS ORPBB/PBDO.



A		new drawing created		REVISION		DATE		SIGNATURE		REQUEST		DATE	
ZUST		Renner		2007-05-24		Renner		DGT 50893		2007-05-24		EUROPEAN METHOD	
DGT		PD HEO		Renner		Renner		Renner		Renner		Renner	
OWNER		PD HEO		DATE		SIGNATURE		REQUEST		DATE		EUROPEAN METHOD	
TITLE		circuit diagram oven		DESIGN NUMBER		387 5375		SHEET NUMBER		01(01)		REV A	

