

THE ITEM(S) SHOWN IN THIS DRAWING MUST NOT CONTAIN FORMALDEHYDE, CADMIUM, MERCURY, ASBESTOS ORPBB/PBDO.

THIS DRAWING CONTAINS CONFIDENTIAL INFORMATIONS. IT'S PROPERTY OF ELECTROLUX WITHOUT WHOSE PERMISSION IT MAY NOT BE COPIED, SHOWN OR HANDED TO A THIRD PARTY OR OTHERWISE USED, AND IT IS TO BE RETURNED PROMPTLY UPON REQUEST TO ELECTROLUX WHICH IS RESPONSIBLE FOR THE DRAWING.

[2] CRITICAL DIMENSIONS WHICH MUST BE UNDER CAPABILITY

SAFETY RISKS

: VISIBLE SURFACES
DRAFT ANGLES (NOT SHOWN): 00°00'00"

THEORETICAL FLAT AREA

DEVELOPED FLAT AREA

GENERAL TOLERANCES

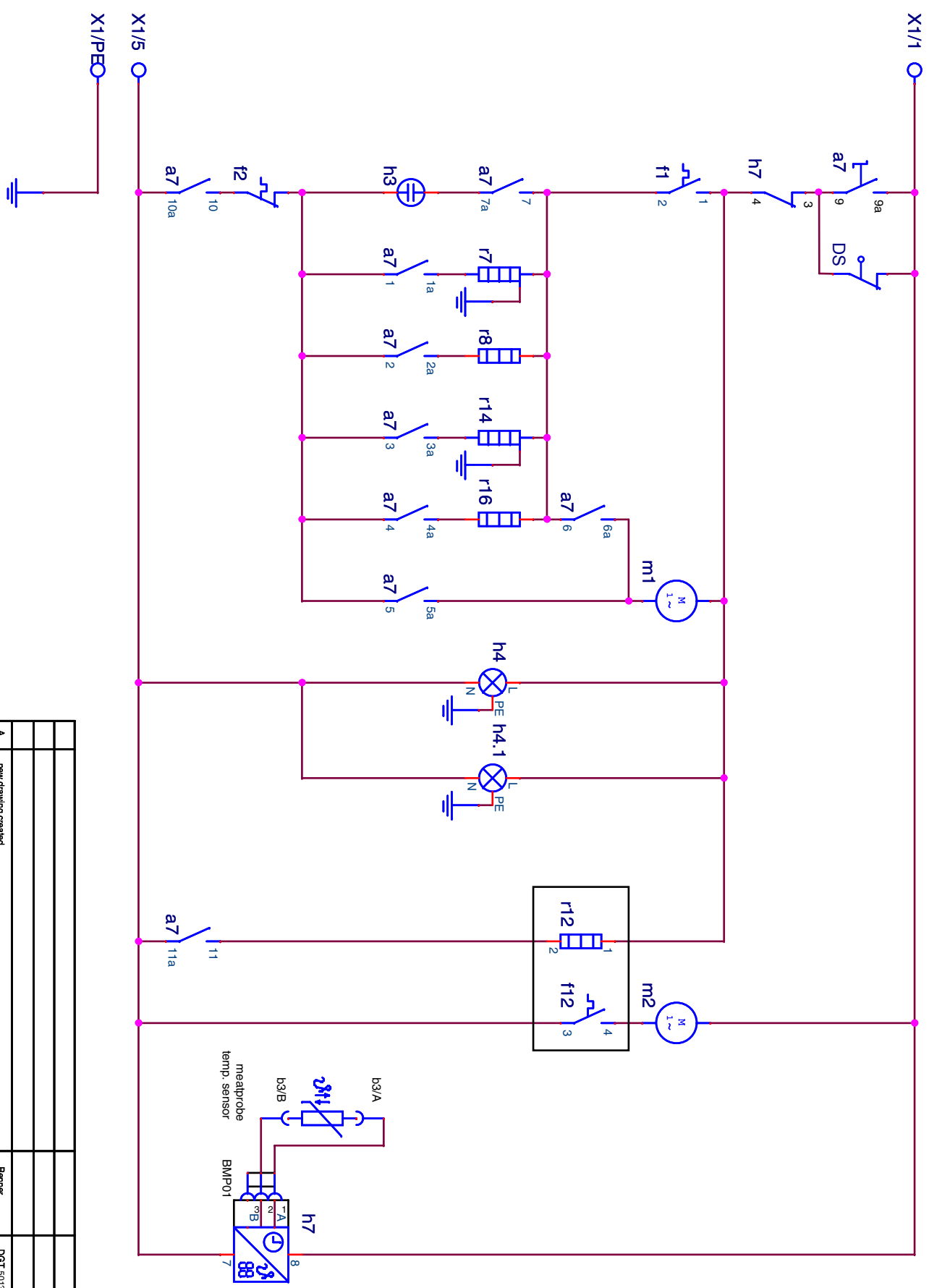
ANGLES : -

LENGTHS AND DIAMETERS:

<18 mm. : -

18 - 80 mm. : -

>80 mm. : -



| | | | | | |
|--------|----------|----------------------|---------|-----------------|-----------|
| A | | new drawing created | | MODIFICATIONS | |
| ZUST | OWNER | DATE | DESIGN | USERS | REQUEST |
| DGT | PD_HECO | 2007-05-10 | Remner | Remner | DGT 50137 |
| TITLE | | circuit diagram oven | | DATE | |
| THE | | Schaltplan Herd | | EUROPEAN METHOD | |
| NUMBER | 387 5341 | SHEET | 01 (01) | REV | A |

