

GENERAL TOLERANCES  
 ANGLES : ±  
 LENGTHS AND DIAMETERS:  
 <18 mm. : ±0.1  
 18 - 80 mm. : ±0.2  
 >80 mm. : ±0.3

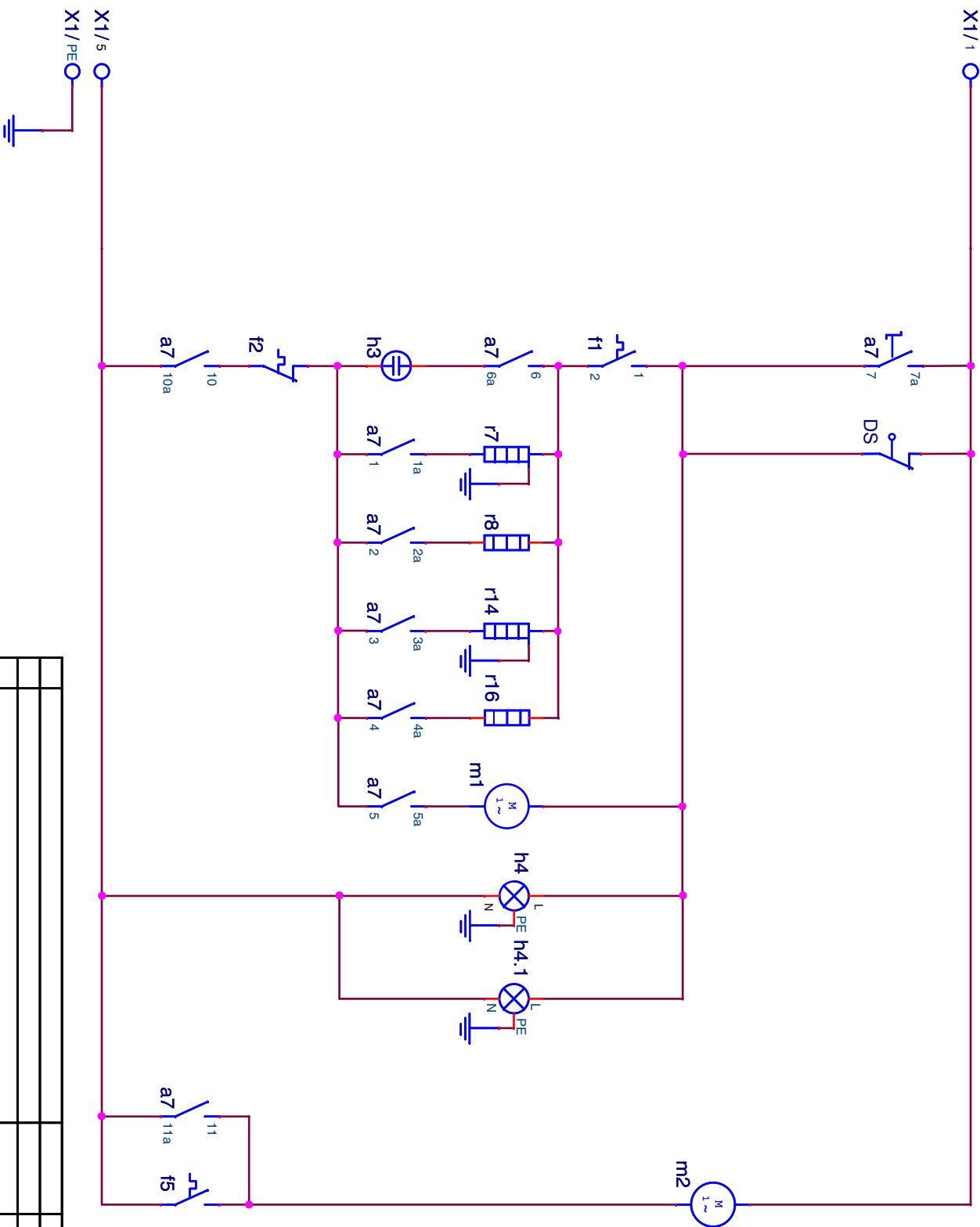
THEORETICAL FLAT AREA  
 DEVELOPED FLAT AREA

[2] CRITICAL DIMENSIONS WHICH MUST BE UNDER CAPABILITY  
**SAFETY RISKS**  
 : VISIBLE SURFACES  
 DRAFT ANGLES (NOT SHOWN): 00°00'00"

THIS DRAWING CONTAINS CONFIDENTIAL INFORMATIONS. IT'S PROPERTY OF ELECTROLUX WITHOUT WHOSE PERMISSION IT MAY NOT BE COPIED, SHOWN OR HANDED TO A THIRD PARTY OR OTHERWISE USED, AND IT IS TO BE RETURNED PROMPTLY UPON REQUEST TO ELECTROLUX WHICH IS RESPONSIBLE FOR THE DRAWING.

THE ITEM(S) SHOWN IN THIS DRAWING MUST NOT CONTAIN FORMALDEHYDE, CADMIUM, MERCURY, ASBESTOS ORPBB/PBDO.

A4



A		new drawing created		REVISIONS		SIGNATURE		DATE	
DGT		PD_HECO		2007-02-12		RENNER		DGT 50137	
OWNER		CHD		DATE		SIGNATURE		DATE	
RENNER		RENNER		2007-02-09		RENNER		2007-02-09	
TITLE		DESCRIPTION		SIGNATURE		REQUIREMENT		DATE	
circuit diagram oven		users		RENNER		REQUIREMENT		2007-02-09	
TYPE		TITLE		SIGNATURE		REQUIREMENT		DATE	
Schaltplan Herd		circuit diagram oven		RENNER		REQUIREMENT		2007-02-09	
NUMBER		TITLE		SIGNATURE		REQUIREMENT		DATE	
387 5338		Schaltplan Herd		RENNER		REQUIREMENT		2007-02-09	
SHEET		TITLE		SIGNATURE		REQUIREMENT		DATE	
01(01)		circuit diagram oven		RENNER		REQUIREMENT		2007-02-09	
REV		TITLE		SIGNATURE		REQUIREMENT		DATE	
A		circuit diagram oven		RENNER		REQUIREMENT		2007-02-09	



387 5338

01(01)

A