

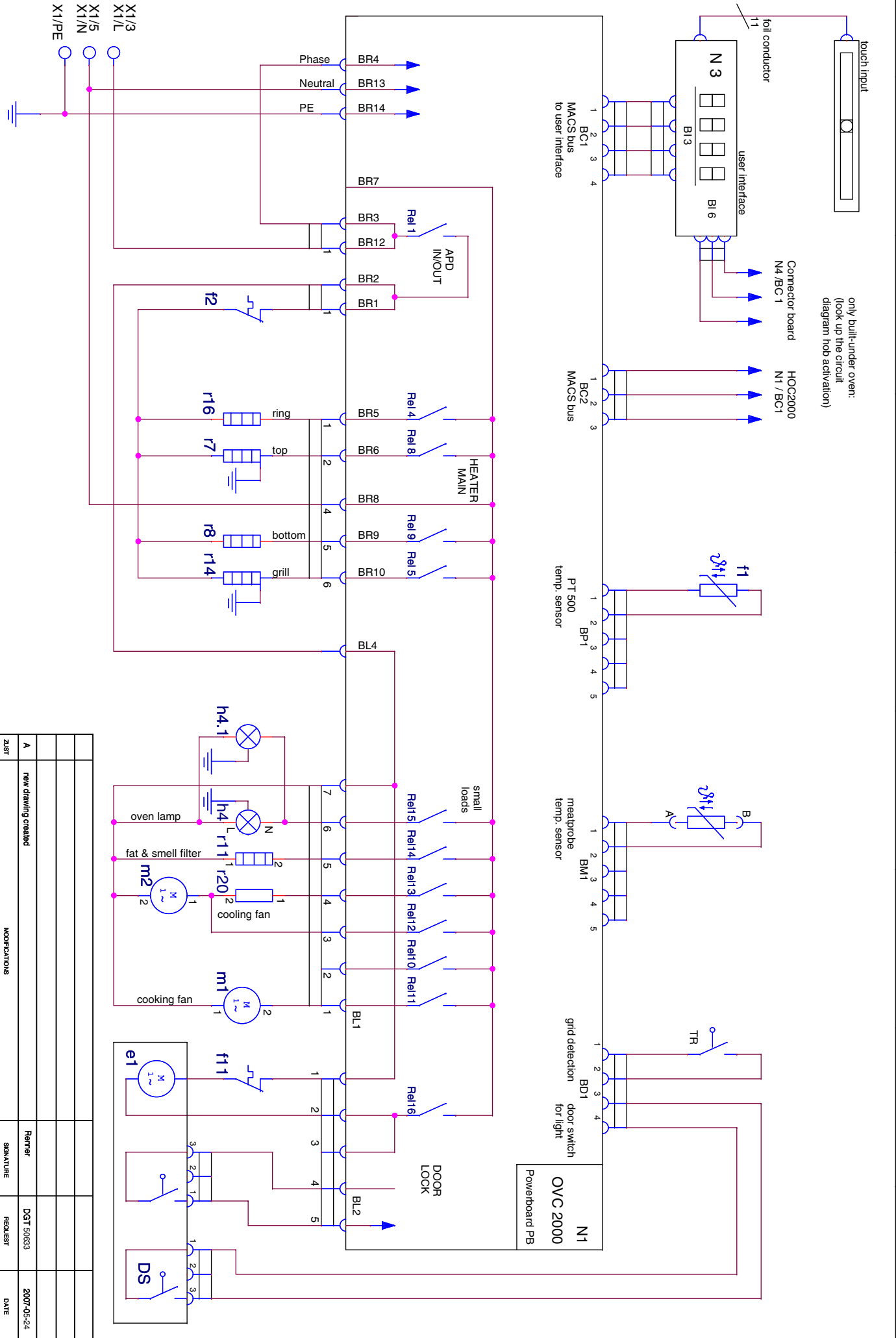
ANGLES :
 <18 mm :
 18 - 80 mm :
 >80 mm :

A4

CRITICAL DIMENSIONS WHICH MUST BE UNDER CAPABILITY
SAFETRISK
 : VISIBLE SURFACES
 DRAFT ANGLES (NOT SHOWN): 00°00'00"

THIS DRAWING CONTAINS CONFIDENTIAL INFORMATIONS. IT'S PROPERTY OF ELECTROLUX WITHOUT WHOSE PERMISSION IT MAY NOT BE COPIED, SHOWN OR HANDED TO A THIRD PARTY OR OTHERWISE USED, AND IT IS TO BE RETURNED PROMPTLY UPON REQUEST TO ELECTROLUX WHICH IS RESPONSIBLE FOR THE DRAWING.

THE ITEM(S) SHOWN IN THIS DRAWING MUST NOT CONTAIN FORMALDEHYDE, CADMIUM, MERCURY, ASBESTOS ORPBB/PPBDO.



A		new drawing created		MODIFICATIONS	
DESIGN	OWNER	IPN	CHD	DATE	REVISION
DGT	PD HEO	Renner	Renner	2007-05-24	Renner
TITLE		SIGNATURE		REQUEST	
circuit diagram oven		Schaltpan Herd		DATE	
NUMBER		SHEET		REV	
387 5223		01 (01)		A	

