

THE ITEM(S) SHOWN IN THIS DRAWING MUST NOT CONTAIN FORMALDEHYDE, CADMIUM, MERCURY, ASBESTOS OR PBB/PBBO.

THIS DRAWING CONTAINS CONFIDENTIAL INFORMATION. ITS PROPERTY OF ELECTROLUX WITHOUT WHOSE PERMISSION IT MAY NOT BE COPIED, SHOWN OR HANDED TO A THIRD PARTY OR OTHERWISE USED, AND IT IS TO BE RETURNED PROMPTLY UPON REQUEST TO ELECTROLUX WHICH IS RESPONSIBLE FOR THE DRAWING.

CRITICAL DIMENSIONS WHICH MUST BE UNDER CAPABILITY [2] MUST BE UNDER CAPABILITY

SAFETY RISKS
 DRAFT ANGLES (NOT SHOWN): 0°/000°

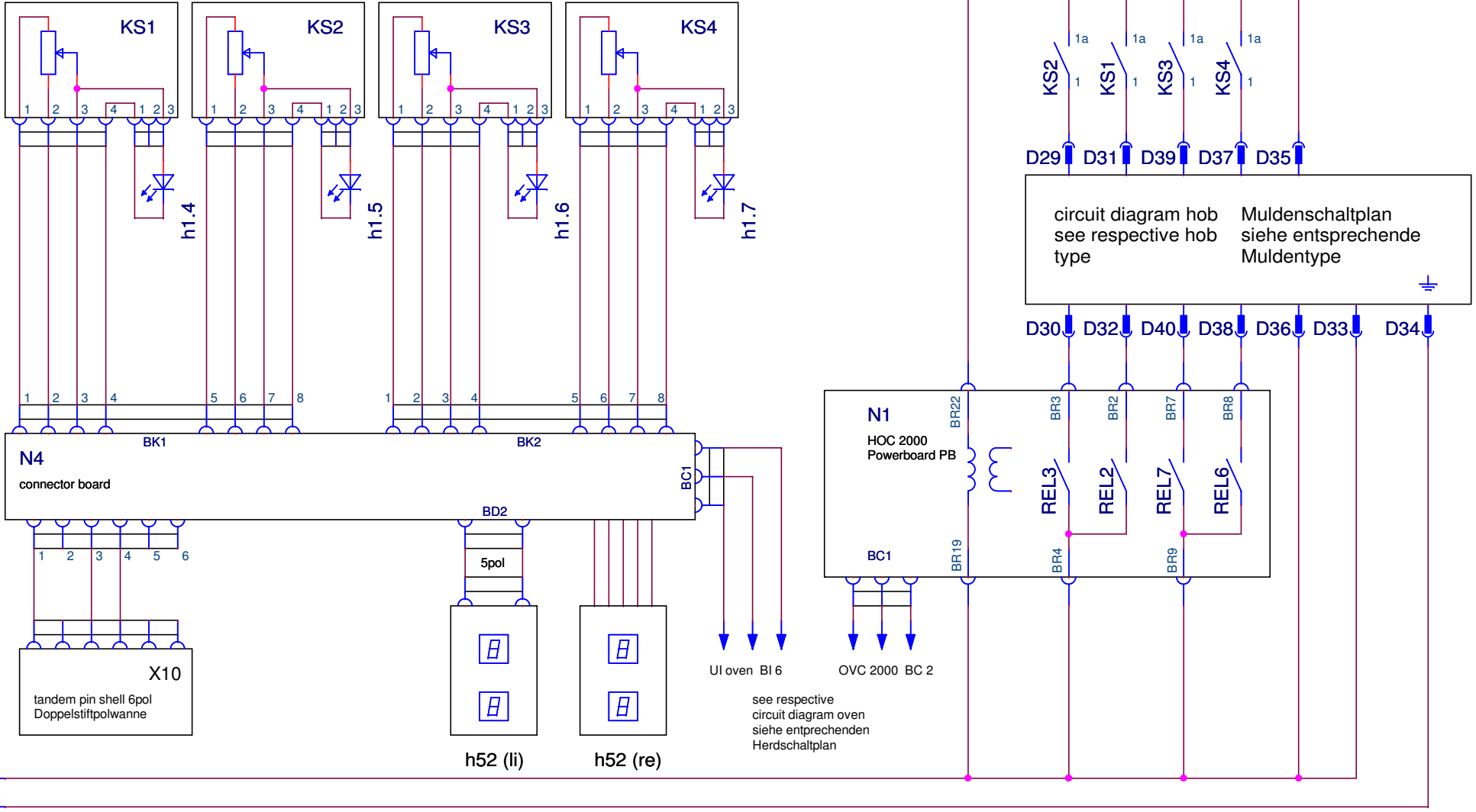
THEORETICAL FLAT AREA
 DEVELOPED FLAT AREA

GENERAL TOLERANCES
 ANGLES : ±°
 LENGTHS AND DIAMETERS:
 18-80 mm : ±°
 >80 mm : ±°

A4

X1/1 ○
 X1/2 ○
 X1/3 ○

X1/4 ○
 X1/PE ○



circuit diagram hob see respective hob type
 Muldenschaltplan siehe entsprechende Muldentype

UI oven BI6
 OVC 2000 BC 2
 see respective circuit diagram oven
 siehe entsprechenden Herdschaltplan

DESIGN		OWNER		DRN		CHD		DATE		DESIGN		USERS		EUROPEAN METHOD	
DGT		PD_HEO		Renner		Georgi		2007-05-15						A	
A new drawing created										Renner		DGT 50491		2007-05-15	
ZUST										SIGNATURE		REQUEST		DATE	
MODIFICATIONS															
TITLE										circuit diagram hob control					
TITEL										Schaltplan Muldenansteuerung					
NUMBER										387 5206		SHEET		REV	
												01 (01)		A	

