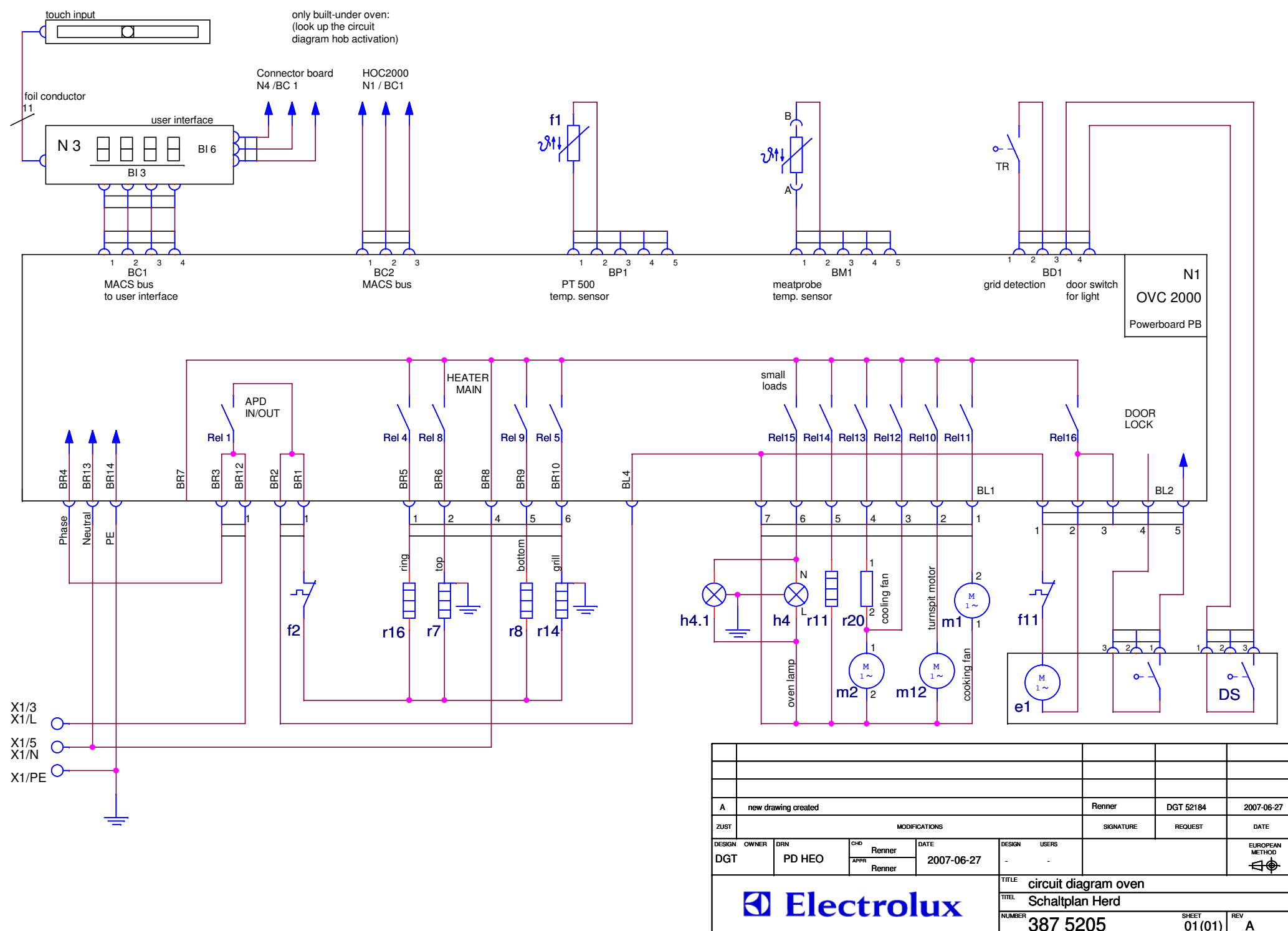


THE ITEM(S) SHOWN IN THIS DRAWING MUST NOT CONTAIN: FORMALDEHYDE, CADMIUM, MERCURY, ASBESTOS OR PBB/PBD.

THIS DRAWING CONTAINS CONFIDENTIAL INFORMATION. ITS PROPERTY OF ELECTROLUX WITHOUT WHOSE PERMISSION IT MAY NOT BE COPIED, SHOWN OR HAND TO A THIRD PARTY OR OTHERWISE USED, AND IT IS TO BE RETURNED PROMPTLY UPON REQUEST TO ELECTROLUX WHICH IS RESPONSIBLE FOR THE DRAWING.

CRITICAL DIMENSIONS WHICH MUST BE UNDER CAPABILITY [2] SAFETY RISKS DRAFT ANGLES (NOT SHOWN): 0°/000°

GENERAL TOLERANCES: ANGLES: ±0.2° LENGTHS AND DIAMETERS: 18-80 mm: ±0.2 mm >80 mm: ±0.3 mm



DESIGN		OWNER		DRN		CHD		DATE		DESIGN		USERS		EUROPEAN METHOD	
DGT		PD		HEO		Renner		2007-06-27		-		-			
A new drawing created										Renner		DGT 52184		2007-06-27	
ZUST										SIGNATURE		REQUEST		DATE	
MODIFICATIONS															
TITLE										circuit diagram oven					
TITEL										Schaltplan Herd					
NUMBER										387 5205		SHEET		REV	
												01 (01)		A	



387 5205 01 (01) A