

THE ITEM(S) SHOWN IN THIS DRAWING MUST NOT CONTAIN: FORMALDEHYDE, CADMIUM, MERCURY, ASBESTOS OR PBB/PBDO.

THIS DRAWING CONTAINS CONFIDENTIAL INFORMATION. ITS PROPERTY OF ELECTROLUX WITHOUT WHOSE PERMISSION IT MAY NOT BE COPIED, SHOWN OR HANDED TO A THIRD PARTY OR OTHERWISE USED, AND IT IS TO BE RETURNED PROMPTLY UPON REQUEST TO ELECTROLUX WHICH IS RESPONSIBLE FOR THE DRAWING.

CRITICAL DIMENSIONS WHICH MUST BE UNDER CAPABILITY

SAFETY RISKS

DRAFT ANGLES (NOT SHOWN): 0°/000°

THEORETICAL FLAT AREA

DEVELOPED FLAT AREA

GENERAL TOLERANCES

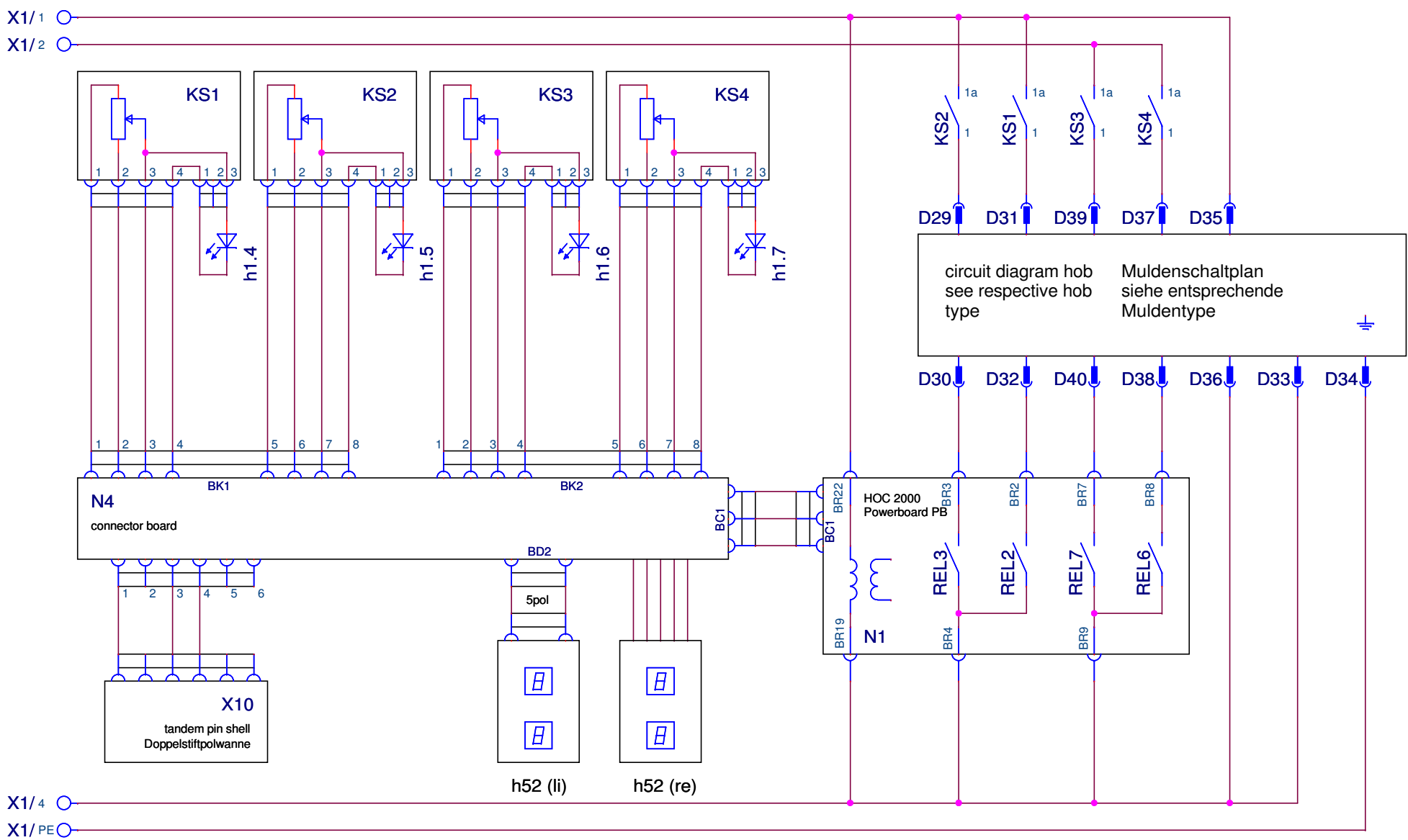
ANGLES : ±0.2°

LENGTHS AND DIAMETERS:

18-80 mm. : ±0.2

>80 mm. : ±0.3

A4



circuit diagram hob see respective hob type

Muldenschaltplan siehe entsprechende Muldentype

DESIGN		OWNER		DRN		CHD		DATE		DESIGN		USERS		EUROPEAN METHOD	
DGT		PD_HEO		Renner		Renner		21.03.2007		-		-			
										TITLE circuit diagram hob control TITEL Schaltplan Muldenansteuerung NUMBER 387 5093 SHEET 01 (01) REV A					

A new drawing created				Renner		DGT 48981		21.03.2007					
ZUST				MODIFICATIONS				SIGNATURE		REQUEST		DATE	