

THE ITEM(S) SHOWN IN THIS DRAWING MUST NOT CONTAIN: FORMALDEHYDE, CADMIUM, MERCURY, ASBESTOS OR PBB/PBDO.

THIS DRAWING CONTAINS CONFIDENTIAL INFORMATION. ITS PROPERTY OF ELECTROLUX WITHOUT WHOSE PERMISSION IT MAY NOT BE COPIED, SHOWN OR HANDED TO A THIRD PARTY OR OTHERWISE USED, AND IT IS TO BE RETURNED PROMPTLY UPON REQUEST TO ELECTROLUX WHICH IS RESPONSIBLE FOR THE DRAWING.

CRITICAL DIMENSIONS WHICH MUST BE UNDER CAPABILITY

SAFETY RISKS

DRAFT ANGLES (NOT SHOWN): 0°/000°

THEORETICAL FLAT AREA

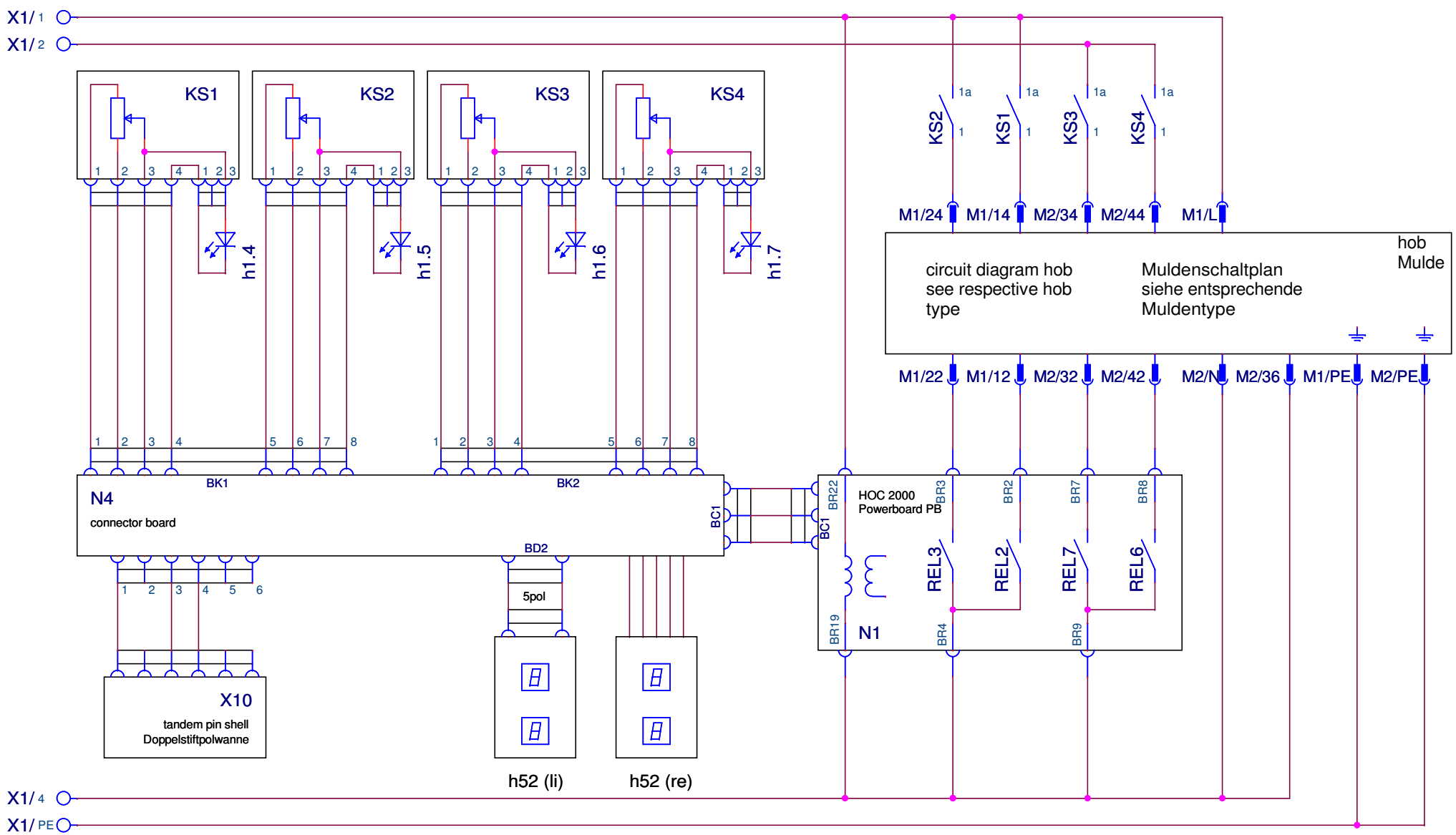
DEVELOPED FLAT AREA

GENERAL TOLERANCES

ANGLES : ±°

LENGTHS AND DIAMETERS:  
 18-80 mm. : ±°  
 >80 mm. : ±°

A4



hob  
Mulde

circuit diagram hob  
see respective hob  
type

Muldenschaltplan  
siehe entsprechende  
Muldentype

|        |  |                     |  |     |        |            |                              |           |                 |     |  |
|--------|--|---------------------|--|-----|--------|------------|------------------------------|-----------|-----------------|-----|--|
| DESIGN |  | OWNER               |  | DRN | CHD    | DATE       | DESIGN                       | USERS     | EUROPEAN METHOD |     |  |
| DGT    |  | PD_HEO              |  |     | Renner | 21.03.2007 | -                            | -         |                 |     |  |
| ZUST   |  | MODIFICATIONS       |  |     |        | SIGNATURE  |                              | REQUEST   | DATE            |     |  |
| A      |  | new drawing created |  |     |        | Renner     |                              | DGT 48981 | 21.03.2007      |     |  |
| TITLE  |  |                     |  |     |        |            | circuit diagram hob control  |           |                 |     |  |
| TITEL  |  |                     |  |     |        |            | Schaltplan Muldenansteuerung |           |                 |     |  |
| NUMBER |  |                     |  |     |        |            | 387 5092                     |           | SHEET           | REV |  |
|        |  |                     |  |     |        |            | 01 (01)                      |           | A               |     |  |

