

THE ITEM(S) SHOWN IN THIS DRAWING MUST NOT CONTAIN FORMALDEHYDE, CADMIUM, MERCURY, ASBESTOS OR PBB/PBDO.

THIS DRAWING CONTAINS CONFIDENTIAL INFORMATION. IT'S PROPERTY OF ELECTROLUX WITHOUT WHOSE PERMISSION IT MAY NOT BE COPIED, SHOWN OR HANDED TO A THIRD PARTY OR OTHERWISE USED, AND IT IS TO BE RETURNED PROMPTLY UPON REQUEST TO ELECTROLUX WHICH IS RESPONSIBLE FOR THE DRAWING.

CRITICAL DIMENSIONS WHICH MUST BE UNDER CAPABILITY

**SAFETY RISKS**

--- : VISIBLE SURFACES  
--- : DRAFT ANGLES (NOT SHOWN): 0°/0000°

THEORETICAL FLAT AREA

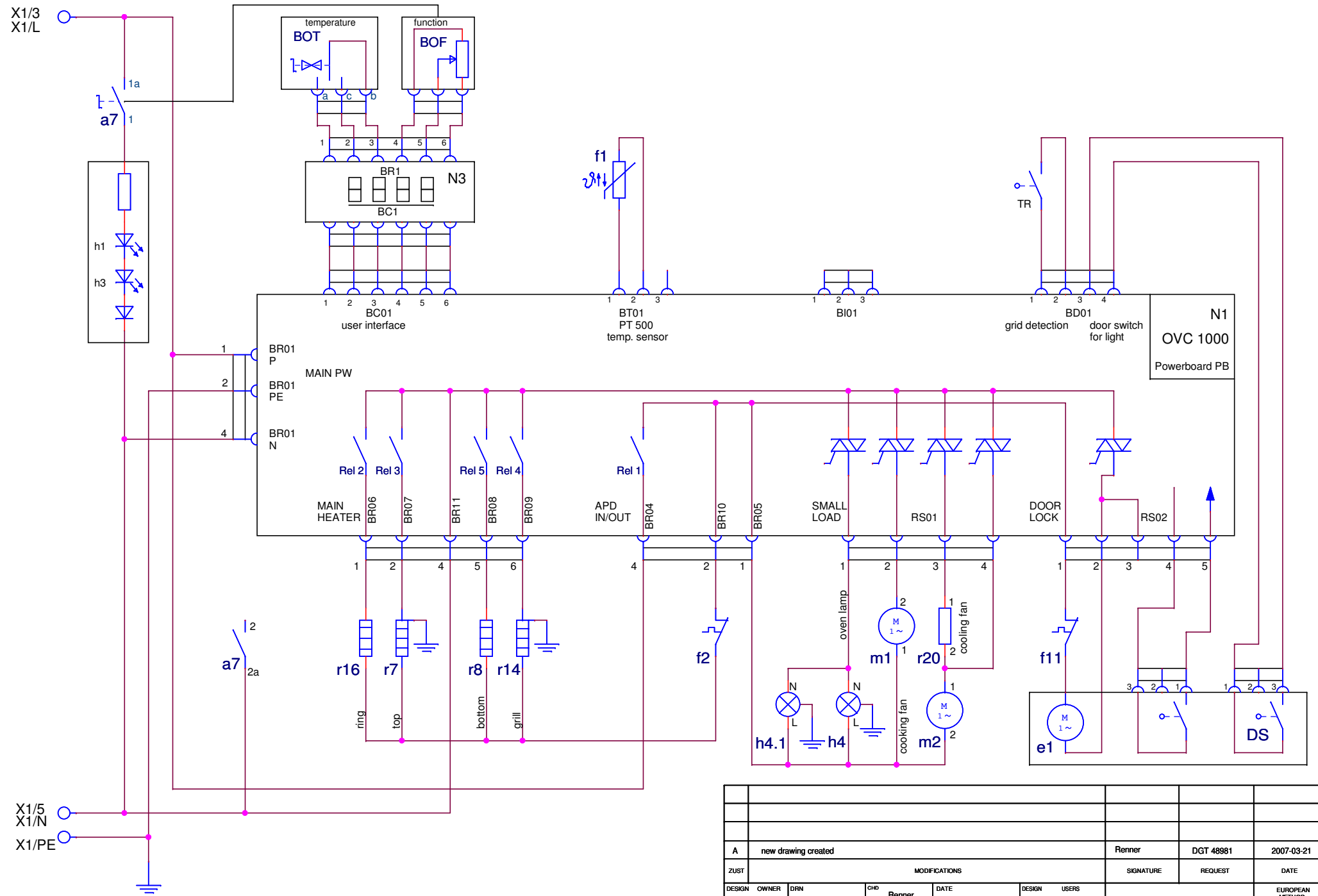
DEVELOPED FLAT AREA

GENERAL TOLERANCES

ANGLES : ±°

LENGTHS AND DIAMETERS:  
18-50 mm : ±°  
50-80 mm : ±°

**A4**



DESIGN		OWNER		DRN		CHD		DATE		DESIGN		USERS		EUROPEAN METHOD					
DGT		PD_HEO		Renner		Renner		2007-03-21		-		-							
<b>Electrolux</b>										<b>Titel</b> circuit diagram oven <b>Titel</b> Schaltplan Herd <b>NUMBER</b> 387 5090 <b>SHEET</b> 01(01) <b>REV</b> A									
<b>A</b> new drawing created Renner DGT 48981 2007-03-21										<b>ZUST</b>		<b>MODIFICATIONS</b>		<b>SIGNATURE</b>		<b>REQUEST</b>		<b>DATE</b>	