

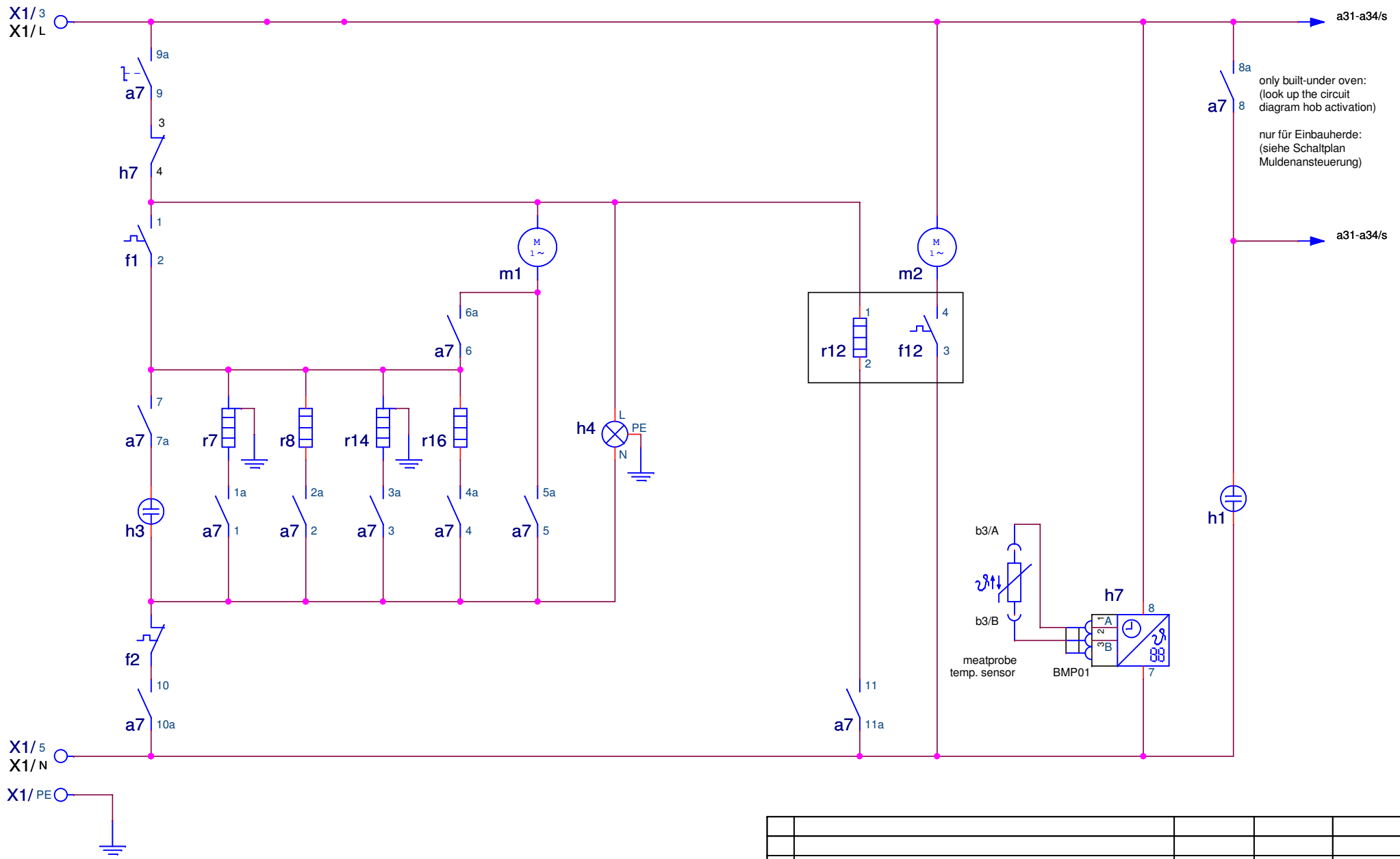
THE ITEM(S) SHOWN IN THIS DRAWING MUST NOT CONTAIN FORMALDEHYDE, CADMIUM, MERCURY, ASBESTOS OR PBB/PBDO.

THIS DRAWING CONTAINS CONFIDENTIAL INFORMATION. IT'S PROPERTY OF ELECTROLUX WITHOUT WHOSE PERMISSION IT MAY NOT BE COPIED, SHOWN OR HANDED TO A THIRD PARTY OR OTHERWISE USED, AND IT IS TO BE RETURNED PROMPTLY UPON REQUEST TO ELECTROLUX WHICH IS RESPONSIBLE FOR THE DRAWING.

CRITICAL DIMENSIONS WHICH MUST BE UNDER CAPABILITY [2] SAFETY RISKS DRAFT ANGLES (NOT SHOWN): 0°/0'000"

THEORETICAL FLAT AREA DEVELOPED FLAT AREA

GENERAL TOLERANCES ANGLES : ±0.2° LENGTHS AND DIAMETERS : 18-80 mm : ±0.15 mm >80 mm : ±0.2 mm



only built-under oven:
(look up the circuit
diagram hob activation)

nur für Einbauberde:
(siehe Schaltplan
Muldenansteuerung)

DESIGN		OWNER		DRN		CHD		DATE		DESIGN		USERS		EUROPEAN METHOD	
DGT		PD_HEO		Renner		Renner		2007-03-26		-		-			
A new drawing created										Renner		DGT 49094		2007-03-26	
ZUST										SIGNATURE		REQUEST		DATE	
MODIFICATIONS															
TITLE										circuit diagram oven					
TITEL										Schaltplan Herd					
NUMBER										387 5070		SHEET		REV	
												01 (01)		A	

