

THE ITEM(S) SHOWN IN THIS DRAWING MUST NOT CONTAIN FORMALDEHYDE, CADMIUM, MERCURY, ASBESTOS OR PBB/PBBO.

THIS DRAWING CONTAINS CONFIDENTIAL INFORMATION. IT'S PROPERTY OF ELECTROLUX WITHOUT WHOSE PERMISSION IT MAY NOT BE COPIED, SHOWN OR HANDED TO A THIRD PARTY OR OTHERWISE USED, AND IT IS TO BE RETURNED PROMPTLY UPON REQUEST TO ELECTROLUX WHICH IS RESPONSIBLE FOR THE DRAWING.

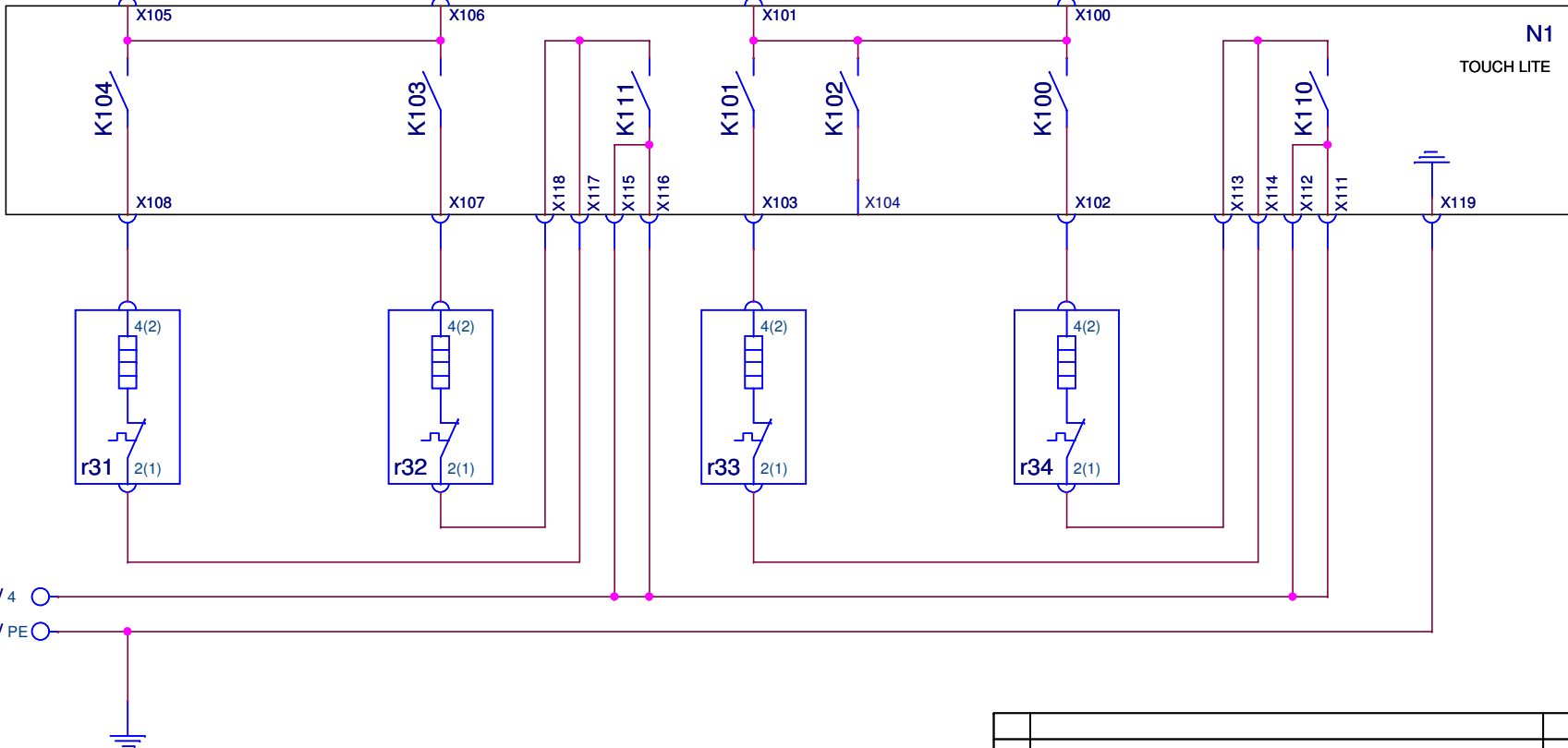
CRITICAL DIMENSIONS WHICH MUST BE UNDER CAPABILITY [2] SAFETY RISKS
 DRAFT ANGLES (NOT SHOWN): 0°/0'000"

THEORETICAL FLAT AREA DEVELOPED FLAT AREA

GENERAL TOLERANCES
 ANGLES : ±°
 LENGTHS AND DIAMETERS:
 18-50 mm : ±°
 >50 mm : ±°
 A4

X1/1
 X1/2
 X1/3

X1/4
 X1/PE



DESIGN		OWNER	DRN	CHD	WeiB	DATE	DESIGN	USERS			EUROPEAN METHOD		
DGT		DGR-PE_PD		APPR	WeiB	2007-02-23	-	-			⚡		
TITLE							circuit diagram hob						
TITEL							Schaltplan Mulde						
NUMBER							387 4933		SHEET	01 (01)		REV	A

