

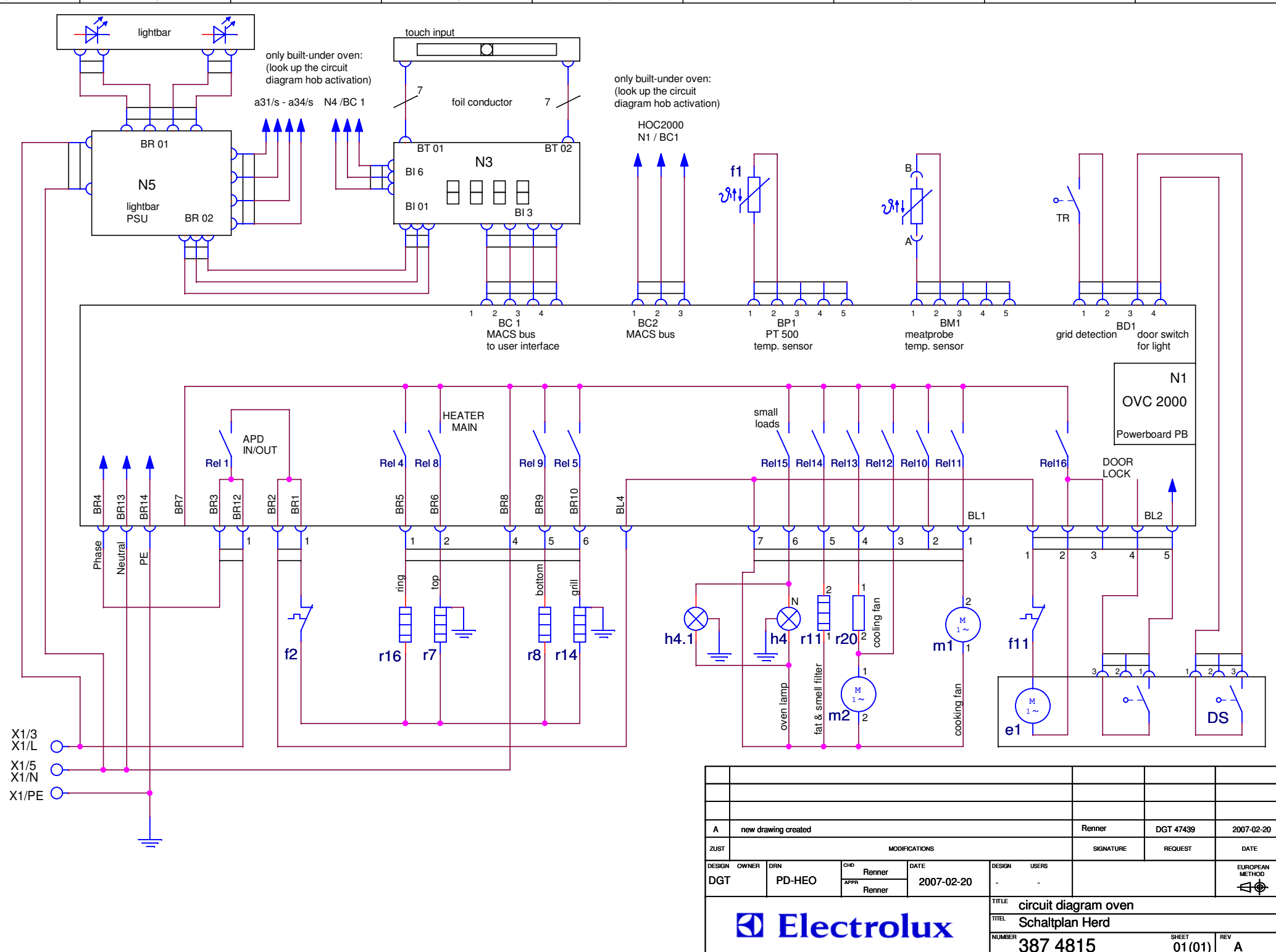
THE ITEM(S) SHOWN IN THIS DRAWING MUST NOT CONTAIN FORMALDEHYDE, CADMIUM, MERCURY, ASBESTOS OR PBB/PBDB.

THIS DRAWING CONTAINS CONFIDENTIAL INFORMATION. IT'S PROPERTY OF ELECTROLUX WITHOUT WHOSE PERMISSION IT MAY NOT BE COPIED, SHOWN OR HANDLED TO A THIRD PARTY OR OTHERWISE USED, AND IT IS TO BE RETURNED PROMPTLY UPON REQUEST TO ELECTROLUX WHICH IS RESPONSIBLE FOR THE DRAWING.

CRITICAL DIMENSIONS WHICH MUST BE UNDER CAPABILITY  
**SAFETY RISKS**  
 DRAFT ANGLES (NOT SHOWN): 00°/000°

THEORETICAL FLAT AREA  
 DEVELOPED FLAT AREA

GENERAL TOLERANCES  
 ANGLES : ±°  
 LENGTHS AND DIAMETERS:  
 18-80 mm : ±°  
 >80 mm : ±°  
**A4**



DESIGN		OWNER		DRN		CHD		DATE		DESIGN		USERS		EUROPEAN METHOD	
DGT		PD-HEO		Renner		Renner		2007-02-20		-		-			
<b>Electrolux</b>										<b>Titel</b> circuit diagram oven <b>Titel</b> Schaltplan Herd <b>NUMBER</b> 387 4815 <b>SHEET</b> 01(01) <b>REV</b> A					

A	new drawing created	Renner	DGT 47439	2007-02-20	
ZUST	MODIFICATIONS		SIGNATURE	REQUEST	DATE