

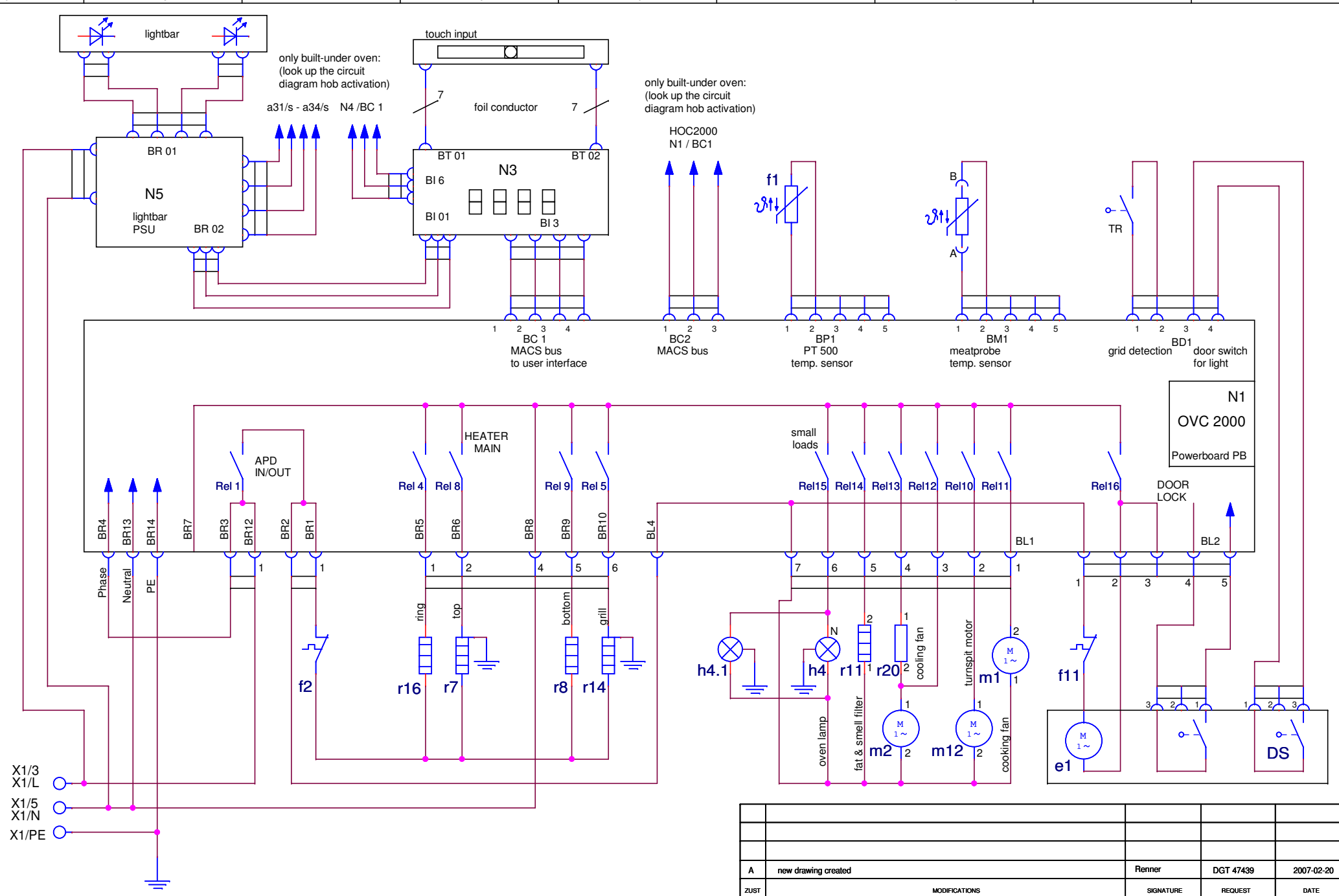
THE ITEM(S) SHOWN IN THIS DRAWING MUST NOT CONTAIN FORMALDEHYDE, CADMIUM, MERCURY, ASBESTOS OR PBB/PBDB.

THIS DRAWING CONTAINS CONFIDENTIAL INFORMATION. IT'S PROPERTY OF ELECTROLUX WITHOUT WHOSE PERMISSION IT MAY NOT BE COPIED, SHOWN OR HANDLED TO A THIRD PARTY OR OTHERWISE USED, AND IT IS TO BE RETURNED PROMPTLY UPON REQUEST TO ELECTROLUX WHICH IS RESPONSIBLE FOR THE DRAWING.

CRITICAL DIMENSIONS WHICH MUST BE UNDER CAPABILITY
SAFETY RISKS
 DRAFT ANGLES (NOT SHOWN): 00°/000°

THEORETICAL FLAT AREA
 DEVELOPED FLAT AREA

GENERAL TOLERANCES
 ANGLES : ±°
 LENGTHS AND DIAMETERS:
 18-80 mm : ±°
 >80mm : ±°
A4



DESIGN		OWNER		DRN		CHD		DATE		DESIGN		USERS		EUROPEAN METHOD	
DGT		PD-HEO		Renner		Renner		2007-02-20		-		-			
Electrolux										Titel circuit diagram oven Titel Schaltplan Herd NUMBER 387 4814 SHEET 01(01) REV A					

A		new drawing created		Renner		DGT 47439		2007-02-20	
ZUST		MODIFICATIONS		SIGNATURE		REQUEST		DATE	