

THE ITEM(S) SHOWN IN THIS DRAWING MUST NOT CONTAIN FORMALDEHYDE, CADMIUM, MERCURY, ASBESTOS OR PBB/PBDO.

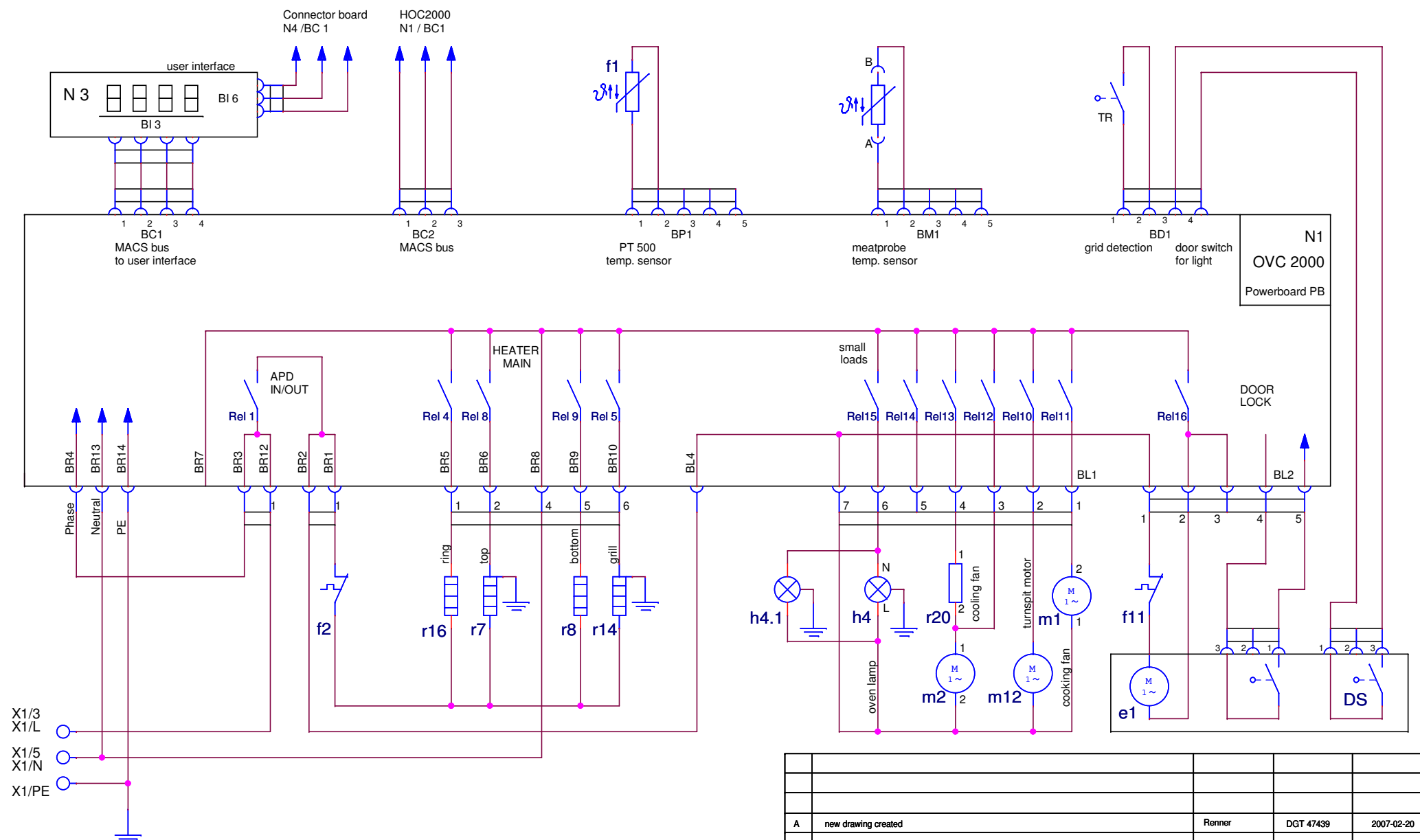
THIS DRAWING CONTAINS CONFIDENTIAL INFORMATION. IT'S PROPERTY OF ELECTROLUX WITHOUT WHOSE PERMISSION IT MAY NOT BE COPIED, SHOWN OR HAND TO A THIRD PARTY OR OTHERWISE USED, AND IT IS TO BE RETURNED PROMPTLY UPON REQUEST TO ELECTROLUX WHICH IS RESPONSIBLE FOR THE DRAWING.

CRITICAL DIMENSIONS WHICH MUST BE UNDER CAPABILITY  
**SAFETY RISKS**  
 DRAFT ANGLES (NOT SHOWN): 0°/000°

THEORETICAL FLAT AREA  
 DEVELOPED FLAT AREA

GENERAL TOLERANCES  
 ANGLES : ±°  
 LENGTHS AND DIAMETERS:  
 18-50 mm : ±°  
 >50 mm : ±°

only built-under oven:  
 (look up the circuit diagram hob activation)



DESIGN		OWNER		DRN		CHD		DATE		DESIGN		USERS		EUROPEAN METHOD	
DGT		PD HEO		Renner		Renner		2007-02-20		-		-			
A new drawing created										Renner		DGT 47439		2007-02-20	
ZUST										SIGNATURE		REQUEST		DATE	
TITLE										circuit diagram oven		TITEL		Schaltplan Herd	
NUMBER										387 4812		SHEET		01 (01)	
REV										A					



387 4812 01 (01) A