

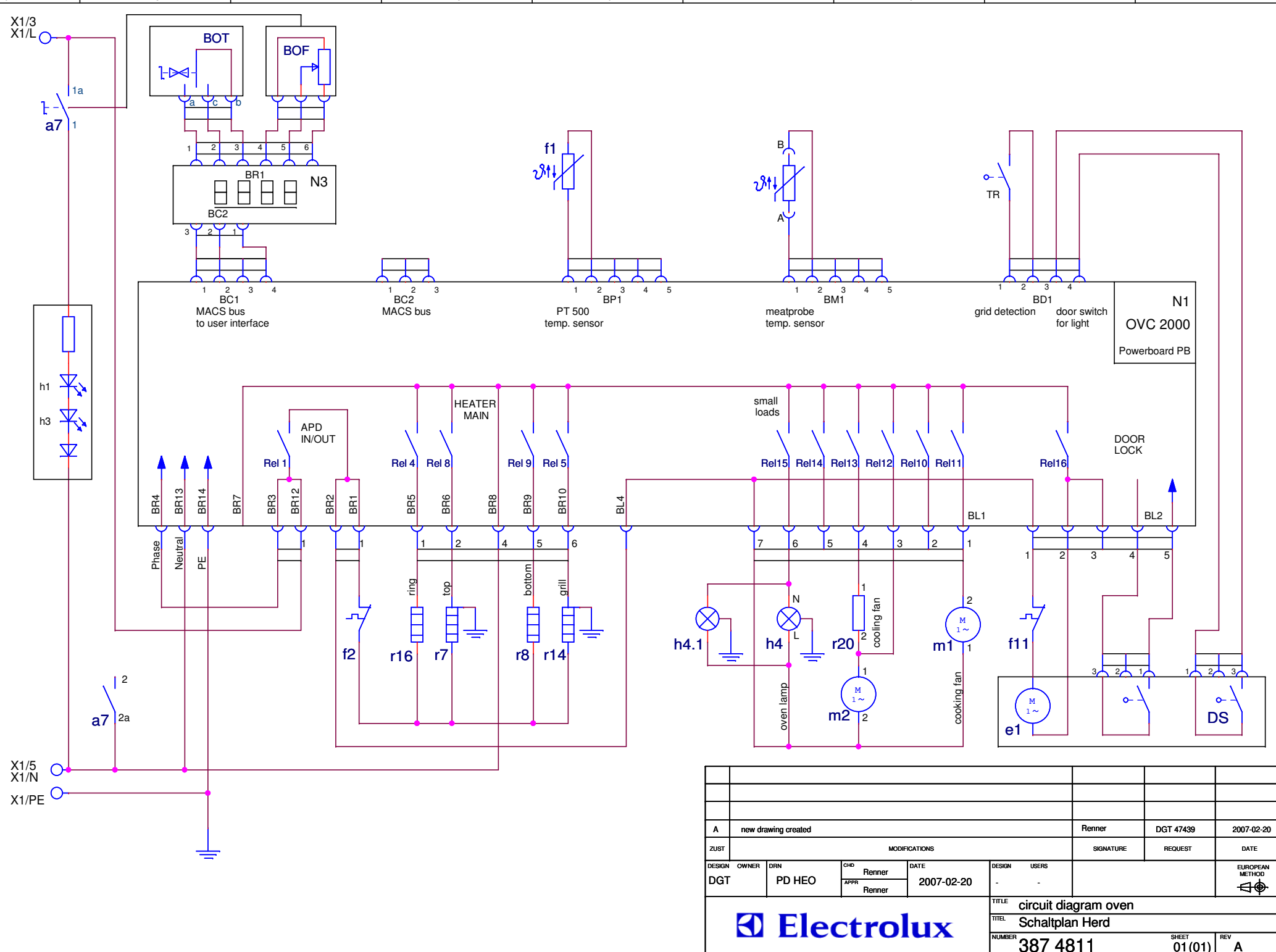
THE ITEM(S) SHOWN IN THIS DRAWING MUST NOT CONTAIN  
FORMALDEHYDE,  
CADMIUM, MERCURY,  
ASBESTOS OR PBB/PBDO.

THIS DRAWING CONTAINS CONFIDENTIAL INFORMATION.  
IT'S PROPERTY OF ELECTROLUX WITHOUT WHOSE  
PERMISSION IT MAY NOT BE COPIED, SHOWN OR HANDED  
TO A THIRD PARTY OR OTHERWISE USED, AND IT IS TO  
BE RETURNED PROMPTLY UPON REQUEST TO ELECTROLUX  
WHICH IS RESPONSIBLE FOR THE DRAWING.

CRITICAL DIMENSIONS WHICH MUST BE UNDER CAPABILITY  
SAFETY RISKS  
DRAFT ANGLES (NOT SHOWN): 00°/000°

THEORETICAL FLAT AREA  
DEVELOPED FLAT AREA

GENERAL TOLERANCES  
ANGLES : ±°  
LENGTHS AND DIAMETERS:  
18-80 mm : ±°  
>80mm : ±°



DESIGN		OWNER		DRN		CHD		DATE		DESIGN		USERS		EUROPEAN METHOD	
DGT		PD HEO		Renner		Renner		2007-02-20		-		-			
TITLE										circuit diagram oven					
TITEL										Schaltplan Herd					
NUMBER										387 4811		SHEET		REV	
										01(01)		A			

