

THE ITEM(S) SHOWN IN THIS DRAWING MUST NOT CONTAIN: FORMALDEHYDE, CADMIUM, MERCURY, ASBESTOS OR PBB/PBDO.

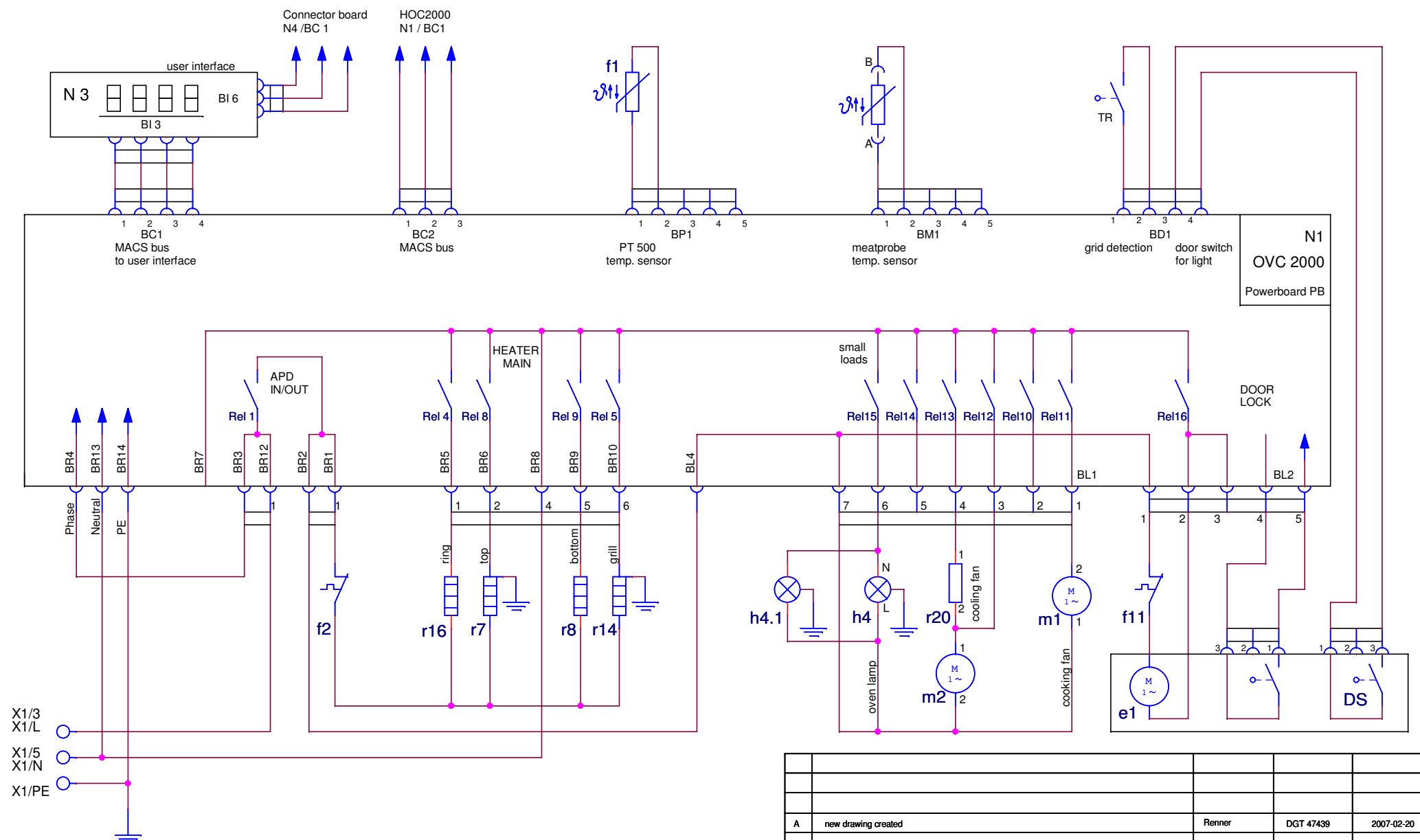
THIS DRAWING CONTAINS CONFIDENTIAL INFORMATION. IT'S PROPERTY OF ELECTROLUX WITHOUT WHOSE PERMISSION IT MAY NOT BE COPIED, SHOWN OR HAND TO A THIRD PARTY OR OTHERWISE USED, AND IT IS TO BE RETURNED PROMPTLY UPON REQUEST TO ELECTROLUX WHICH IS RESPONSIBLE FOR THE DRAWING.

CRITICAL DIMENSIONS WHICH MUST BE UNDER CAPABILITY [2] SAFETY RISKS DRAFT ANGLES (NOT SHOWN): 0°/000°

THEORETICAL FLAT AREA DEVELOPED FLAT AREA

GENERAL TOLERANCES ANGLES LENGTHS AND DIAMETERS

only built-under oven:
(look up the circuit diagram hob activation)



DESIGN		OWNER		DRN		CHD		DATE		DESIGN		USERS		EUROPEAN METHOD	
DGT		PD		HEO		Renner		2007-02-20		-		-			
ZUST		new drawing created		Renner		DGT 47439		2007-02-20		SIGNATURE		REQUEST		DATE	
TITLE										circuit diagram oven					
TITEL										Schaltplan Herd					
NUMBER										387 4810		SHEET		REV	
										01 (01)		A			



387 4810 01 (01) A