

THE ITEM(S) SHOWN IN THIS DRAWING MUST NOT CONTAIN: FORMALDEHYDE, CADMIUM, MERCURY, ASBESTOS OR PBB/PBD.

THIS DRAWING CONTAINS CONFIDENTIAL INFORMATION. ITS PROPERTY OF ELECTROLUX WITHOUT WHOSE PERMISSION IT MAY NOT BE COPIED, SHOWN OR HAND TO A THIRD PARTY OR OTHERWISE USED, AND IT IS TO BE RETURNED PROMPTLY UPON REQUEST TO ELECTROLUX WHICH IS RESPONSIBLE FOR THE DRAWING.

CRITICAL DIMENSIONS WHICH MUST BE UNDER CAPABILITY

SAFETY RISKS

VISIBLE SURFACES (NOT SHOWN): 0.00/0.00"

THEORETICAL FLAT AREA

DEVELOPED FLAT AREA

GENERAL TOLERANCES

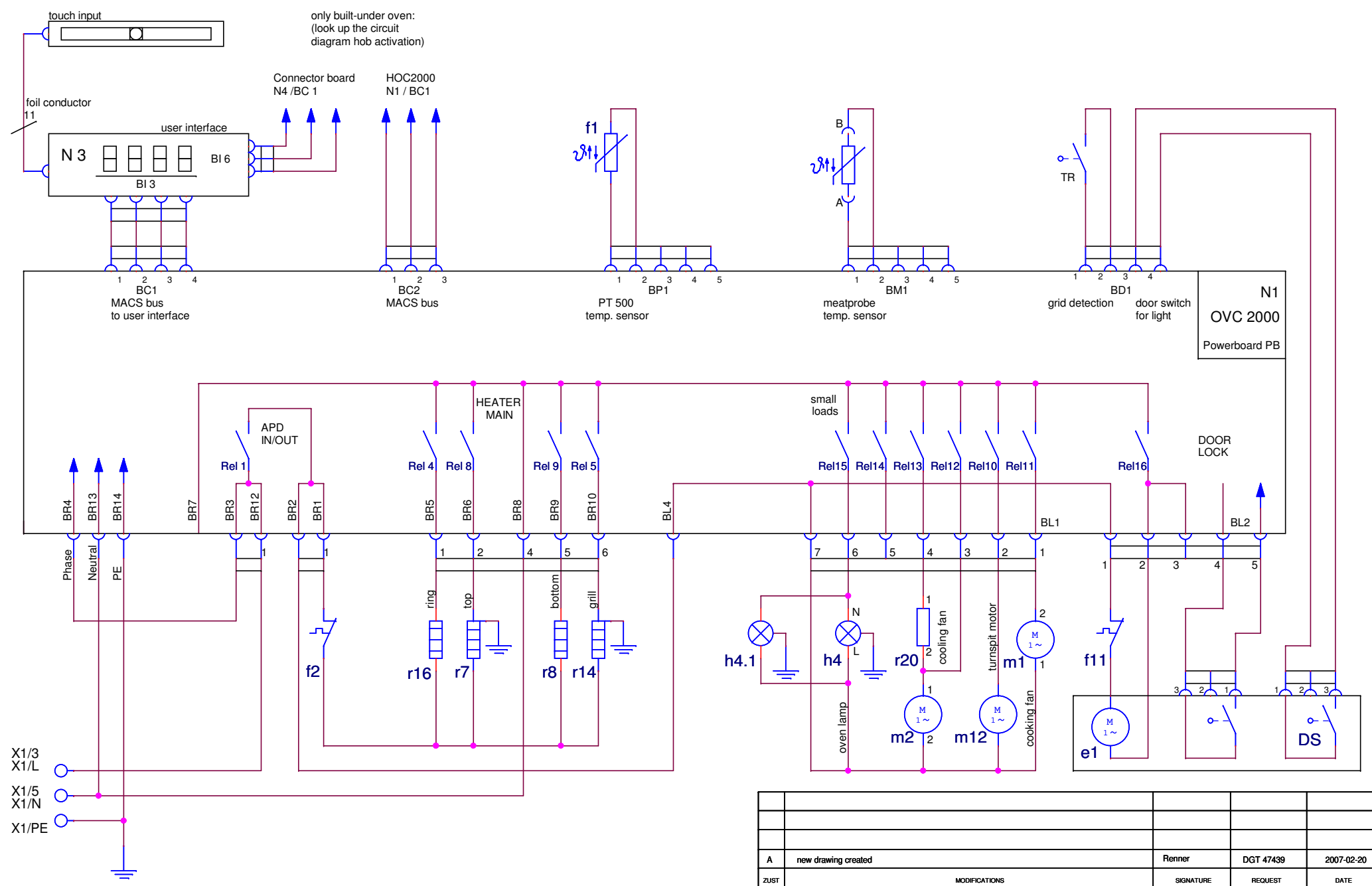
ANGLES: ±0.2°

LENGTHS AND DIAMETERS:

18-80 mm: ±0.2 mm

>80 mm: ±0.3 mm

A4



only built-under oven:
(look up the circuit
diagram hob activation)

DESIGN		OWNER		DRN		CHD		DATE		DESIGN		USERS		EUROPEAN METHOD	
DGT		PD HEO		Renner		Renner		2007-02-20		-		-			
A new drawing created										Renner		DGT 47439		2007-02-20	
ZUST										SIGNATURE		REQUEST		DATE	
TITLE										circuit diagram oven		TITEL		Schaltplan Herd	
NUMBER										387 4809		SHEET		REV	
										01 (01)		A			



387 4809

01 (01)

A