

THE ITEM(S) SHOWN IN THIS DRAWING MUST NOT CONTAIN FORMALDEHYDE, CADMIUM, MERCURY, ASBESTOS OR PBB/PBDO.

THIS DRAWING CONTAINS CONFIDENTIAL INFORMATIONS. IT'S PROPERTY OF ELECTROLUX WITHOUT WHOSE PERMISSION IT MAY NOT BE COPIED, SHOWN OR HANDED TO A THIRD PARTY OR OTHERWISE USED, AND IT IS TO BE RETURNED PROMPTLY UPON REQUEST TO ELECTROLUX WHICH IS RESPONSIBLE FOR THE DRAWING.

CRITICAL DIMENSIONS WHICH MUST BE UNDER CAPABILITY

SAFETY RISKS

—: VISIBLE SURFACES
DRAFT ANGLES (NOT SHOWN): 0°0'00"

THEORETICAL FLAT AREA
DEVELOPED FLAT AREA

GENERAL TOLERANCES

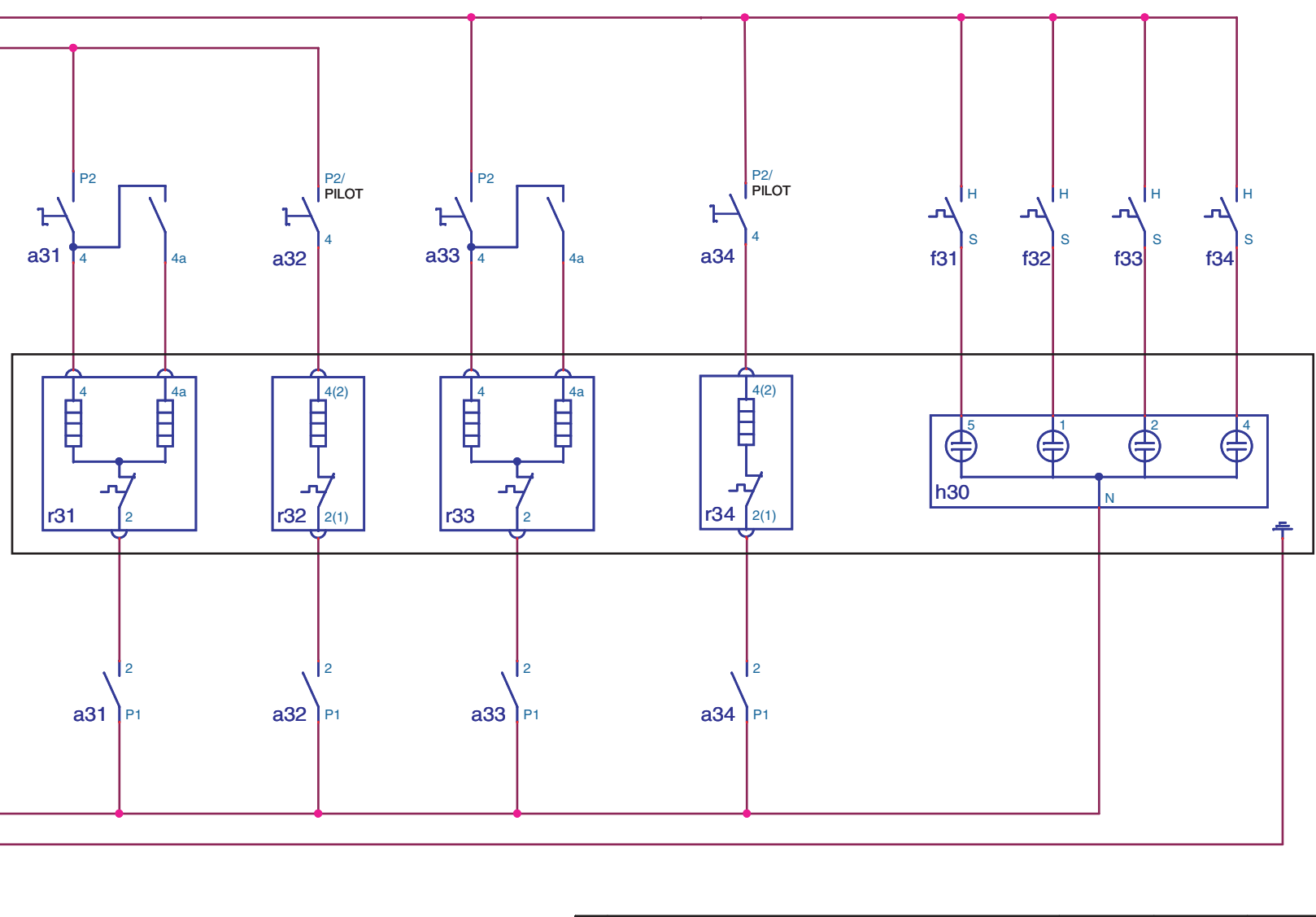
ANGLES : ±°

LENGTHS AND DIAMETERS:
 0-30 mm : ±0.10 mm
 30-80 mm : ±0.15 mm
 >80 mm : ±0.20 mm

A4

X1/2 ○
X1/3 ○

X1/4 ○
X1/PE ○



DESIGN		OWNER		DRN		CHD		DATE		DESIGN		USERS		EUROPEAN METHOD	
DGT		PD_HEO		Renner		Renner		16-08-2007		-		-			
TITLE										circuit diagram hob control					
TITEL										Schaltplan Muldenansteuerung					
NUMBER										387 4794		SHEET		REV	
										01(01)		A			