

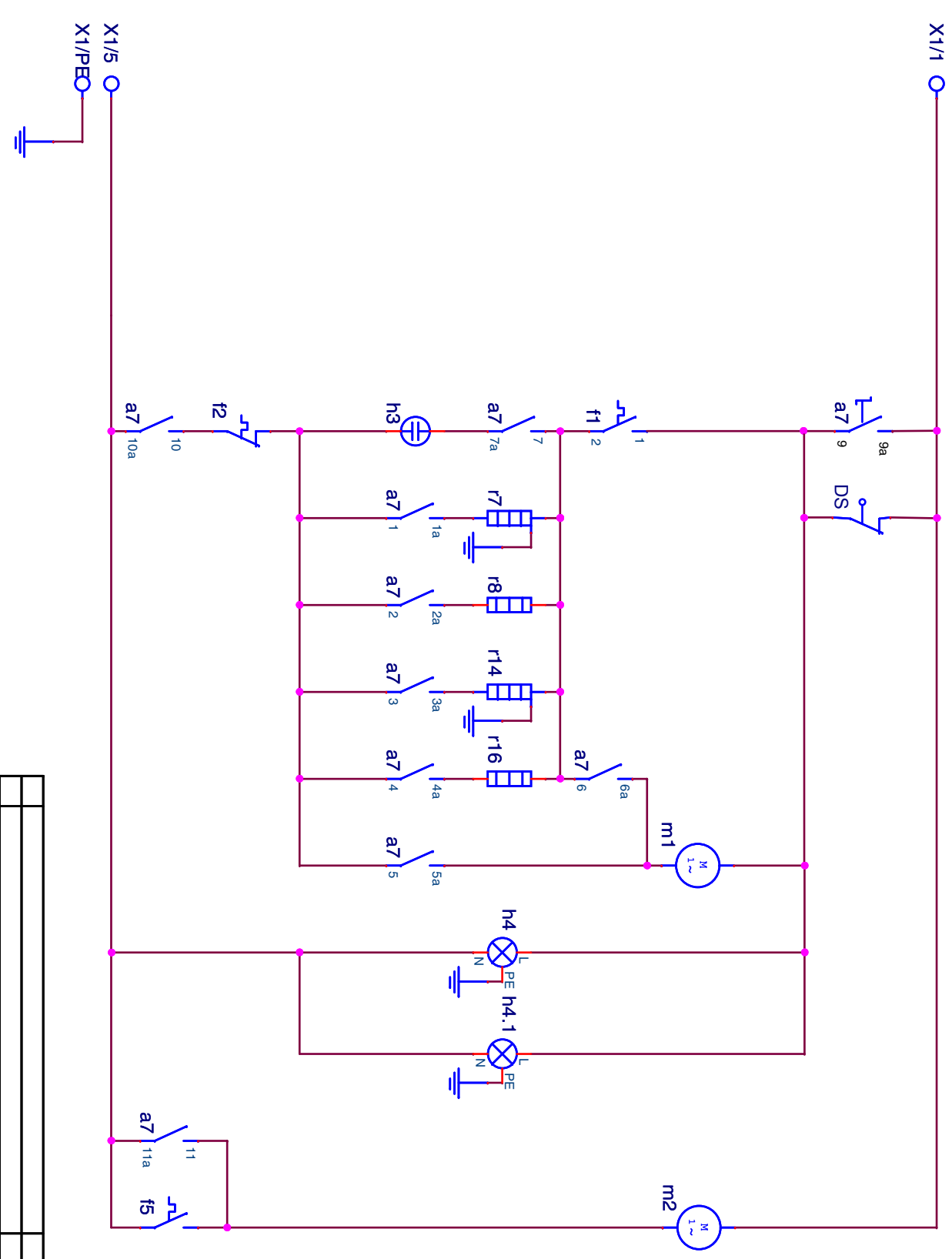
GENERAL TOLERANCES
 ANGLES : ±
 LENGTHS AND DIAMETERS:
 <18 mm. : ±0.1
 18 - 80 mm. : ±0.2
 >80 mm. : ±0.3

THEORETICAL FLAT AREA
 DEVELOPED FLAT AREA

[2] CRITICAL DIMENSIONS WHICH MUST BE UNDER CAPABILITY
SAFETY RISKS
 : VISIBLE SURFACES
 DRAFT ANGLES (NOT SHOWN): 00°00'00"

THIS DRAWING CONTAINS CONFIDENTIAL INFORMATIONS.
 IT'S PROPERTY OF ELECTROLUX WITHOUT WHOSE PERMISSION IT MAY NOT BE COPIED, SHOWN OR HANDED TO A THIRD PARTY OR OTHERWISE USED, AND IT IS TO BE RETURNED PROMPTLY UPON REQUEST TO ELECTROLUX WHICH IS RESPONSIBLE FOR THE DRAWING.

THE ITEM(S) SHOWN IN THIS DRAWING MUST NOT CONTAIN FORMALDEHYDE, CADMIUM, MERCURY, ASBESTOS ORPBB/PBDO.



A		First Edition		REVISION		DATE		SIGNATURE		REQUEST		DATE	
ZUST		Reimer		2007-05-09		Reimer		DGT 47496		2007-05-09		EUROPEAN METHOD	
DGT		PD - HEO		2007-05-09		Reimer		387 4774		01(01)		REV A	
<p>Electrolux</p> <p>Titel: Schaltplan Herd circuit diagram oven</p>													